



 A MESTEK COMPANY



# **LT** *series*

Commercial Finned Tube  
Low Operating Water Temperature  
High Output Offerings





## MEETING TODAY'S GREEN INITIATIVES...

Today's high efficiency condensing boiler and ground source heat pump hot water systems demand commercial finned tube radiation with the highest BTU outputs possible.

The traditional hot water commercial radiation system operated at 180°F water temperatures. Newer hot water HVAC systems now often operate in the 120°F – 140°F range which is a decrease in heating energy requirements of approximately 60%. Now, the difficulties facing the engineer are how to recover the lost output at the lower operating temperatures and maintain building comfort.

Sterling has long been considered a leader in the commercial hydronic heating industry. With new, expanded enclosure offerings and a vast array of elements, Sterling has included the highest capacity combinations together in one catalog. These high efficiency commercial enclosure and finned tube element offerings will provide the engineer with a variety of proven choices to meet the demands of today's low water temperature operating systems.

All of the offerings in this catalog will allow today's modern high efficiency commercial condensing boilers to operate at their full potential, maximizing system efficiency and providing the building owner with all the cost saving benefits possible. This high performing BTU-per-foot commercial finned tube selection will help you meet the requirements of today's new high efficiency low temperature operating systems, and, as part of a complete building system, may help qualify for LEED energy credits.

### Retrofit and New Buildings

The flexibility of Sterling's low operating temperature commercial finned tube allows it to easily be installed in retrofit applications as well as new building designs. Whether designing a new commercial office building or changing the layout of an existing building, either can easily be accomplished using Sterling's commercial finned tube radiation. Piping design for hot water hydronic heating systems is extremely flexible and can help cut design costs significantly.

### Custom Applications

With over 70 years of manufacturing experience in the commercial finned tube market, Sterling's engineering group can customize any enclosure application to meet your specific building needs. That, along with the most modern powder paint system available, gives the engineer and architect almost limitless design options. Our engineering staff has over 50 years of experience in the design and application of commercial finned tube heating systems and will assist you in meeting any job condition you encounter. We understand that your design concepts and conditions are endless. Sterling will evaluate your options and provide multiple proven design concepts that will perform to the requirements needed for many years to come.

### Working for More Green

All Sterling Commercial Hydronics products are made from recycled materials. Contact your Sterling representative for material recycled contents.





## FEATURES AND BENEFITS

- **Low Operating Temperatures and Premium Performance**  
The Sterling High Capacity Finned Tube is intended specifically for the use with low temperature water operating condensing boilers and ground source heat pumps.
- **Allows for Maximum Boiler Operating Efficiencies**
- **Most Efficient and Comfortable Heating Option Available**
- **Greater Comfort with Room-by-Room Temperature Control**  
When utilizing the many advanced control devices available, each room allows for comfort settings for the occupants based on personal preference.
- **Clean and Healthy**  
Heat from the natural convective action is distributed evenly along the exterior walls of the room, warming the wall while replacing the cold with warmth. When using hydronic heating systems, the building's ventilation system can be reduced in size, allowing additional budget to increase the quality of the indoor air quality system. This will provide cleaner and better air quality, and fewer airborne germs circulated throughout the building.
- **Design Flexibility**  
Future zoning or circuit layout changes are easily done and cost less than changing out expensive duct work.
- **Durable Powder Paint Finish**

- **Custom Paint Color Matching**  
Sterling's state-of-the-art powder paint system allows for the matching of custom colors and includes the availability of RAL and metallic color offerings.
- **Multiple Enclosure Material and Gauge Options**  
Cold Rolled Steel is standard. Aluminum and Stainless Steel are available options.  
Choose from 18, 16, & 14 gauge material thickness.
-  **"Made in the U.S.A."**  
All of the Sterling High Capacity products are proudly made in the United States utilizing domestically produced raw materials.

## PRODUCT DIRECTORY

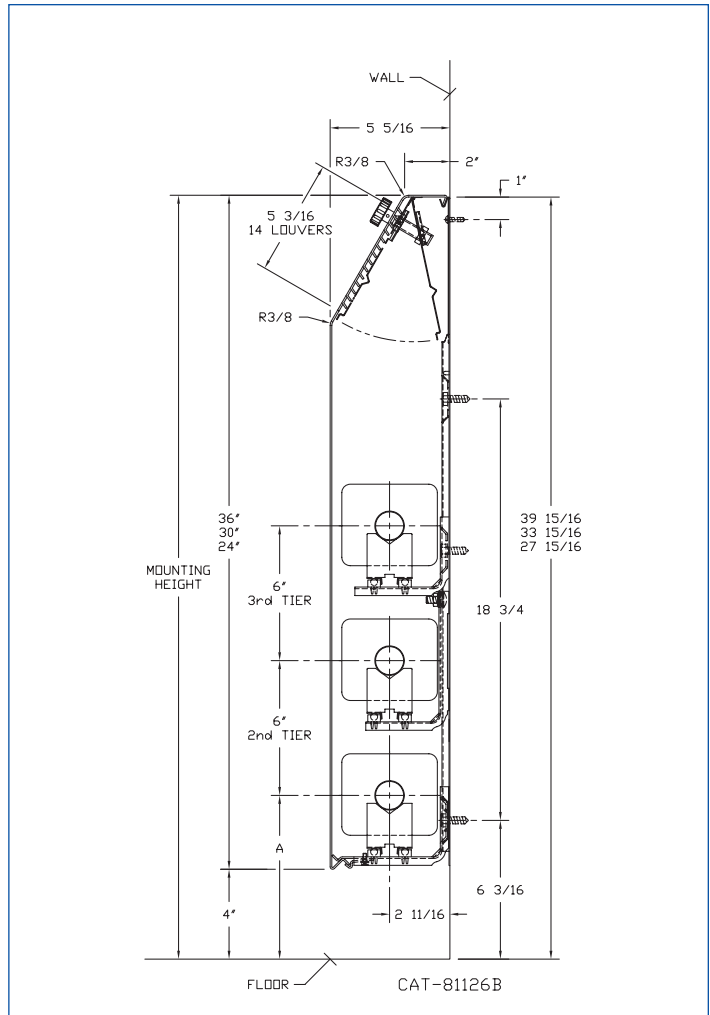
<b>Enclosure Style</b>	<b>Page</b>
Slope Outlet .....	4
Front Outlet.....	8
Front & Top Outlet.....	12
Flat Top Outlet.....	16
Slope Top Aluminum Grille .....	20
Finned Tube Design Data.....	24-26
Warranty.....	27





# JVB-S Style "S" Slope Top Enclosures

ELEMENT TUBE SIZE	FIN SIZE HEIGHT x WIDTH	CRADLE NUMBER	A
3/4" COPPER	3-5/8 x 4-1/4	2	7"
3/4" COPPER	4-1/4 x 4-1/4	3A	7-3/8"
1" COPPER	3-5/8 x 4-1/4	2	7-3/16"
1" COPPER	4-1/4 x 4-1/4	2	7-3/16"
1-1/4" COPPER	3-5/8 x 4-1/4	2	7-5/16"
1-1/4" COPPER	4-1/4 x 4-1/4	2	7-5/16"
1" STEEL	4-1/4 x 4-1/4	2	7-5/16"
1-1/4" STEEL	4-1/4 x 4-1/4	2	7-1/2"
2" STEEL	4-1/4 x 4-1/4	1	7-1/4"



**STYLE LT Series "S"**
**COPPER/ALUMINUM ELEMENT RATINGS**
ALL RATINGS ARE BASED ON 3 FPS WATER VELOCITY, 65°EAT

TUBE SIZE	CATALOG DESIGNATION	FIN SIZE HEIGHT X WIDTH	FIN PER FT.	FIN THICKNESS IN INCHES	ENCL DEPTH AND HEIGHT IN INCHES	TIERS AND CENTERS IN INCHES	MTG. HEIGHT IN INCHES	STEAM 215°F FACTOR	HOT WATER (AVG.)													
									200°F	190°F	180°F	170°F	160°F	150°F	140°F	130°F	120°F	110°F	100°F			
									CORRECTION FACTORS FOR AVERAGE WATER TEMPERATURES													
											1.00	0.86	0.78	0.69	0.61	0.53	0.45	.40	.33	.26	.20	.15
3/4"	C3/4-433	3-5/8" x 4-1/4"	32	.020	24B	1	28	1670	1440	1300	1150	1020	890	750	670	550	430	330	250			
					24B	2-6 CL	28	2570	2210	2000	1770	1570	1360	1160	1030	850	670	510	390			
					24B	3-6 CL	28	2960	2550	2310	2040	1810	1570	1330	1180	980	770	590	440			
					30B	1	34	1860	1600	1450	1280	1130	990	840	740	610	480	370	280			
					30B	2-6 CL	34	2460	2120	1920	1700	1500	1300	1110	980	810	640	490	370			
					30B	3-6 CL	34	2830	2430	2210	1950	1730	1500	1270	1130	930	740	570	420			
	3/4"	C3/4-434	3-5/8" x 4-1/4"	40	.020	24B	1	28	1910	1640	1490	1320	1170	1010	860	760	630	500	380	290		
						24B	2-6 CL	28	2700	2320	2110	1860	1650	1430	1220	1080	890	700	540	410		
						24B	3-6 CL	28	3080	2650	2400	2130	1880	1630	1390	1230	1020	800	620	460		
						30B	1	34	2120	1820	1650	1460	1290	1120	950	850	700	550	420	320		
						30B	2-6 CL	34	2810	2420	2190	1940	1710	1490	1260	1120	930	730	560	420		
						30B	3-6 CL	34	3200	2750	2500	2210	1950	1700	1440	1280	1060	830	640	480		
3/4"	C3/4-435	3-5/8" x 4-1/4"	50	.020	24B	1	28	2260	1940	1760	1560	1380	1200	1020	900	750	590	450	340			
					24B	2-6 CL	28	3110	2670	2430	2150	1900	1650	1400	1240	1030	810	620	470			
					24B	3-6 CL	28	3510	3020	2740	2420	2140	1860	1580	1400	1160	910	700	530			
					30B	1	34	2510	2160	1960	1730	1530	1330	1130	1000	830	650	500	380			
					30B	2-6 CL	34	3320	2860	2590	2290	2030	1760	1490	1330	1100	860	660	500			
					30B	3-6 CL	34	3750	3230	2930	2590	2290	1990	1690	1500	1240	980	750	560			
	3/4"	C433	3-5/8" x 4-1/4"	32	.020	24B	1	28	1690	1450	1320	1170	1030	900	760	680	560	440	340	250		
						24B	2-6 CL	28	2590	2230	2020	1790	1580	1370	1170	1040	850	670	520	390		
						24B	3-6 CL	28	2980	2560	2320	2060	1820	1580	1340	1190	980	770	600	450		
						30B	1	34	1880	1620	1470	1300	1150	1000	850	750	620	490	380	280		
						30B	2-6 CL	34	2490	2140	1940	1720	1520	1320	1120	1000	820	650	500	370		
						30B	3-6 CL	34	2860	2460	2230	1970	1740	1520	1290	1140	940	740	570	430		
1"	C434	3-5/8" x 4-1/4"	40	.020	24B	1	28	2070	1780	1610	1430	1260	1100	930	830	680	540	410	310			
					24B	2-6 CL	28	2740	2360	2140	1890	1670	1450	1230	1100	900	710	550	410			
					24B	3-6 CL	28	3150	2710	2460	2170	1920	1670	1420	1260	1040	820	630	470			
					30B	1	34	2210	1900	1720	1520	1350	1170	990	880	730	570	440	330			
					30B	2-6 CL	34	2930	2520	2290	2020	1790	1550	1320	1170	970	760	590	440			
					30B	3-6 CL	34	3340	2870	2610	2300	2040	1770	1500	1340	1100	870	670	500			
	1"	C435	3-5/8" x 4-1/4"	50	.020	24B	1	28	2360	2030	1840	1630	1440	1250	1060	940	780	610	470	350		
						24B	2-6 CL	28	2910	2500	2270	2010	1780	1540	1310	1160	960	760	580	440		
						24B	3-6 CL	28	3290	2830	2570	2270	2010	1740	1480	1320	1090	860	660	490		
						30B	1	34	2620	2250	2040	1810	1600	1390	1180	1050	860	680	520	390		
						30B	2-6 CL	34	3470	2980	2710	2390	2120	1840	1560	1390	1150	900	690	520		
						30B	3-6 CL	34	3920	3370	3060	2700	2390	2080	1760	1570	1290	1020	780	590		
1-1/4"	C1433	3-5/8" x 4-1/4"	32	.020	24B	1	28	1590	1370	1240	1100	970	840	720	640	520	410	320	240			
					24B	2-6 CL	28	2450	2110	1910	1690	1490	1300	1100	980	810	640	490	370			
					24B	3-6 CL	28	2820	2430	2200	1950	1720	1490	1270	1130	930	730	560	420			
					30B	1	34	1770	1520	1380	1220	1080	940	800	710	580	460	350	270			
					30B	2-6 CL	34	2340	2010	1830	1610	1430	1240	1050	940	770	610	470	350			
					30B	3-6 CL	34	2690	2310	2100	1860	1640	1430	1210	1080	890	700	540	400			
	1-1/4"	C1434	3-5/8" x 4-1/4"	40	.020	24B	1	28	1950	1680	1520	1350	1190	1030	880	780	640	510	390	290		
						24B	2-6 CL	28	2710	2330	2110	1870	1650	1440	1220	1080	890	700	540	410		
						24B	3-6 CL	28	3090	2660	2410	2130	1880	1640	1390	1240	1020	800	620	460		
						30B	1	34	2170	1870	1690	1500	1320	1150	980	870	720	560	430	330		
						30B	2-6 CL	34	2870	2470	2240	1980	1750	1520	1290	1150	950	750	570	430		
						30B	3-6 CL	34	3270	2810	2550	2260	1990	1730	1470	1310	1080	850	650	490		
1-1/4"	C1435	3-5/8" x 4-1/4"	50	.020	24B	1	28	2270	1950	1770	1570	1380	1200	1020	910	750	590	450	340			
					24B	2-6 CL	28	2810	2420	2190	1940	1710	1490	1260	1120	930	730	560	420			
					24B	3-6 CL	28	3180	2730	2480	2190	1940	1690	1430	1270	1050	830	640	480			
					30B	1	34	2520	2170	1970	1740	1540	1340	1130	1010	830	660	500	380			
					30B	2-6 CL	34	3340	2870	2610	2300	2040	1770	1500	1340	1100	870	670	500			
					30B	3-6 CL	34	3770	3240	2940	2600	2300	2000	1700	1510	1240	980	750	570			

# JVB-S Style "S" Slope Top Enclosures

## COPPER/ALUMINUM ELEMENT RATINGS

ALL RATINGS ARE BASED ON 3 FPS WATER VELOCITY, 65°F AT

### STYLE LT Series "S"

TUBE SIZE	CATALOG DESIGNATION	FIN SIZE HEIGHT X WIDTH	FIN PER FT.	FIN THICKNESS IN INCHES	ENCL DEPTH AND HEIGHT IN INCHES	TIERS AND CENTERS IN INCHES	MTG. HEIGHT IN INCHES	STEAM 215°F FACTOR	HOT WATER (AVG.)										
									200°F	190°F	180°F	170°F	160°F	150°F	140°F	130°F	120°F	110°F	100°F
									CORRECTION FACTORS FOR AVERAGE WATER TEMPERATURES										
								1.00	0.86	0.78	0.69	0.61	0.53	0.45	.40	.33	.26	.20	.15
3/4"	C3/4-43	4-1/4" SQ.	32	.020	24B	1	28	1790	1540	1400	1240	1090	950	810	720	590	470	360	270
					24B	2-6 CL	28	2810	2420	2190	1940	1710	1490	1260	1120	930	730	560	420
					24B	3-6 CL	28	3230	2780	2520	2230	1970	1710	1450	1290	1070	840	650	480
					30B	1	34	1990	1710	1550	1370	1210	1050	900	800	660	520	400	300
					30B	2-6 CL	34	2630	2260	2050	1810	1600	1390	1180	1050	870	680	530	390
					30B	3-6 CL	34	3020	2600	2360	2080	1840	1600	1360	1210	1000	790	600	450
	36B	1	40	2190	1880	1710	1510	1340	1160	990	880	720	570	440	330				
	36B	2-6 CL	40	2900	2490	2260	2000	1770	1540	1310	1160	960	750	580	440				
	36B	3-6 CL	40	3330	2860	2600	2300	2030	1760	1500	1330	1100	870	670	500				
	24B	1	28	2350	2020	1830	1620	1430	1250	1060	940	780	610	470	350				
	24B	2-6 CL	28	3210	2760	2500	2210	1960	1700	1440	1280	1060	830	640	480				
	24B	3-6 CL	28	3660	3150	2850	2530	2230	1940	1650	1460	1210	950	730	550				
30B	1	34	2610	2240	2040	1800	1590	1380	1170	1040	860	680	520	390					
30B	2-6 CL	34	3460	2980	2700	2390	2110	1830	1560	1380	1140	900	690	520					
30B	3-6 CL	34	3940	3390	3070	2720	2400	2090	1770	1580	1300	1020	790	590					
36B	1	40	2870	2470	2240	1980	1750	1520	1290	1150	950	750	570	430					
36B	2-6 CL	40	3800	3270	2960	2620	2320	2010	1710	1520	1250	990	760	570					
36B	3-6 CL	40	4330	3720	3380	2990	2640	2290	1950	1730	1430	1130	870	650					
3/4"	C3/4-44	4-1/4" SQ.	40	.020	24B	1	28	2470	2120	1930	1700	1510	1310	1110	990	820	640	490	370
					24B	2-6 CL	28	3270	2810	2550	2260	1990	1730	1470	1310	1080	850	650	490
					24B	3-6 CL	28	3700	3180	2890	2550	2260	1960	1670	1480	1220	960	740	560
					30B	1	34	2750	2370	2150	1900	1680	1460	1240	1100	910	720	550	410
					30B	2-6 CL	34	3640	3130	2840	2510	2220	1930	1640	1460	1200	950	730	550
					30B	3-6 CL	34	4110	3530	3210	2840	2510	2180	1850	1640	1360	1070	820	620
	36B	1	40	3030	2610	2360	2090	1850	1610	1360	1210	1000	790	610	450				
	36B	2-6 CL	40	4010	3450	3130	2770	2450	2130	1800	1600	1320	1040	800	600				
	36B	3-6 CL	40	4530	3900	3530	3130	2760	2400	2040	1810	1490	1180	910	680				
	24B	1	28	1810	1560	1410	1250	1100	960	810	720	600	470	360	270				
	24B	2-6 CL	28	2830	2430	2210	1950	1730	1500	1270	1130	930	740	570	420				
	24B	3-6 CL	28	3250	2800	2540	2240	1980	1720	1460	1300	1070	850	650	490				
30B	1	34	2010	1730	1570	1390	1230	1070	900	800	660	520	400	300					
30B	2-6 CL	34	2660	2290	2070	1840	1620	1410	1200	1060	880	690	530	400					
30B	3-6 CL	34	3060	2630	2390	2110	1870	1620	1380	1220	1010	800	610	460					
36B	1	40	2210	1900	1720	1520	1350	1170	990	880	730	570	440	330					
36B	2-6 CL	40	2930	2520	2290	2020	1790	1550	1320	1170	970	760	590	440					
36B	3-6 CL	40	3370	2900	2630	2330	2060	1790	1520	1350	1110	880	670	510					
1"	C43	4-1/4" SQ.	32	.020	24B	1	28	2140	1840	1670	1480	1310	1130	960	860	710	560	430	320
					24B	2-6 CL	28	2920	2510	2280	2010	1780	1550	1310	1170	960	760	580	440
					24B	3-6 CL	28	3330	2860	2600	2300	2030	1760	1500	1330	1100	870	670	500
					30B	1	34	2380	2050	1860	1640	1450	1260	1070	950	790	620	480	360
					30B	2-6 CL	34	3150	2710	2460	2170	1920	1670	1420	1260	1040	820	630	470
					30B	3-6 CL	34	3590	3090	2800	2480	2190	1900	1620	1440	1180	930	720	540
	36B	1	40	2620	2250	2040	1810	1600	1390	1180	1050	860	680	520	390				
	36B	2-6 CL	40	3470	2980	2710	2390	2120	1840	1560	1390	1150	900	690	520				
	36B	3-6 CL	40	3960	3410	3090	2730	2420	2100	1780	1580	1310	1030	790	590				
	24B	1	28	2510	2160	1960	1730	1530	1330	1130	1000	830	650	500	380				
	24B	2-6 CL	28	3000	2580	2340	2070	1830	1590	1350	1200	990	780	600	450				
	24B	3-6 CL	28	3390	2920	2640	2340	2070	1800	1530	1360	1120	880	680	510				
30B	1	34	2790	2400	2180	1930	1700	1480	1260	1120	920	730	560	420					
30B	2-6 CL	34	3690	3170	2880	2550	2250	1960	1660	1480	1220	960	740	550					
30B	3-6 CL	34	4170	3590	3250	2880	2540	2210	1880	1670	1380	1080	830	630					
36B	1	40	3070	2640	2390	2120	1870	1630	1380	1230	1010	800	610	460					
36B	2-6 CL	40	4060	3490	3170	2800	2480	2150	1830	1620	1340	1060	810	610					
36B	3-6 CL	40	4590	3950	3580	3170	2800	2430	2070	1840	1510	1190	920	690					
1-1/4"	C143	4-1/4" SQ.	32	.020	24B	1	28	1770	1520	1380	1220	1080	940	800	710	580	460	350	270
					24B	2-6 CL	28	2780	2390	2170	1920	1700	1470	1250	1110	920	720	560	420
					24B	3-6 CL	28	3200	2750	2500	2210	1950	1700	1440	1280	1060	830	640	480
					30B	1	34	1970	1690	1540	1360	1200	1040	890	790	650	510	390	300
					30B	2-6 CL	34	2610	2240	2040	1800	1590	1380	1170	1040	860	680	520	390
					30B	3-6 CL	34	3000	2580	2340	2070	1830	1590	1350	1200	990	780	600	450
	36B	1	40	2170	1870	1690	1500	1320	1150	980	870	720	560	430	330				
	36B	2-6 CL	40	2870	2470	2240	1980	1750	1520	1290	1150	950	750	570	430				
	36B	3-6 CL	40	3300	2840	2570	2280	2010	1750	1490	1320	1090	860	660	500				
	24B	1	28	2100	1810	1640	1450	1280	1110	950	840	690	550	420	320				
	24B	2-6 CL	28	2870	2470	2240	1980	1750	1520	1290	1150	950	750	570	430				
	24B	3-6 CL	28	3270	2810	2550	2260	1990	1730	1470	1310	1080	850	650	490				
30B	1	34	2340	2010	1830	1610	1430	1240	1050	940	770	610	470	350					
30B	2-6 CL	34	3100	2670	2420	2140	1890	1640	1400	1240	1020	810	620	470					
30B	3-6 CL	34	3530	3040	2750	2440	2150	1870	1590	1410	1160	920	710	530					
36B	1	40	2580	2220	2010	1780	1570	1370	1160	1030	850	670	520	390					
36B	2-6 CL	40	3420	2940	2670	2360	2090	1810	1540	1370	1130	890	680	510					
36B	3-6 CL	40	3900	3350	3040	2690	2380	2070	1760	1560	1290	1010	780	590					
1-1/4"	C144	4-1/4" SQ.	40	.020	24B	1	28	2470	2120	1930	1700	1510	1310	1110	990	820	640	490	370
					24B	2-6 CL	28	3250	2800	2540	2240	1980	1720	1460	1300	1070	850	650	490
					24B	3-6 CL	28	3660	3150	2850	2530	2230	1940	1650	1460	1210	950	730	550
					30B	1	34	2750	2370	2150	1900								

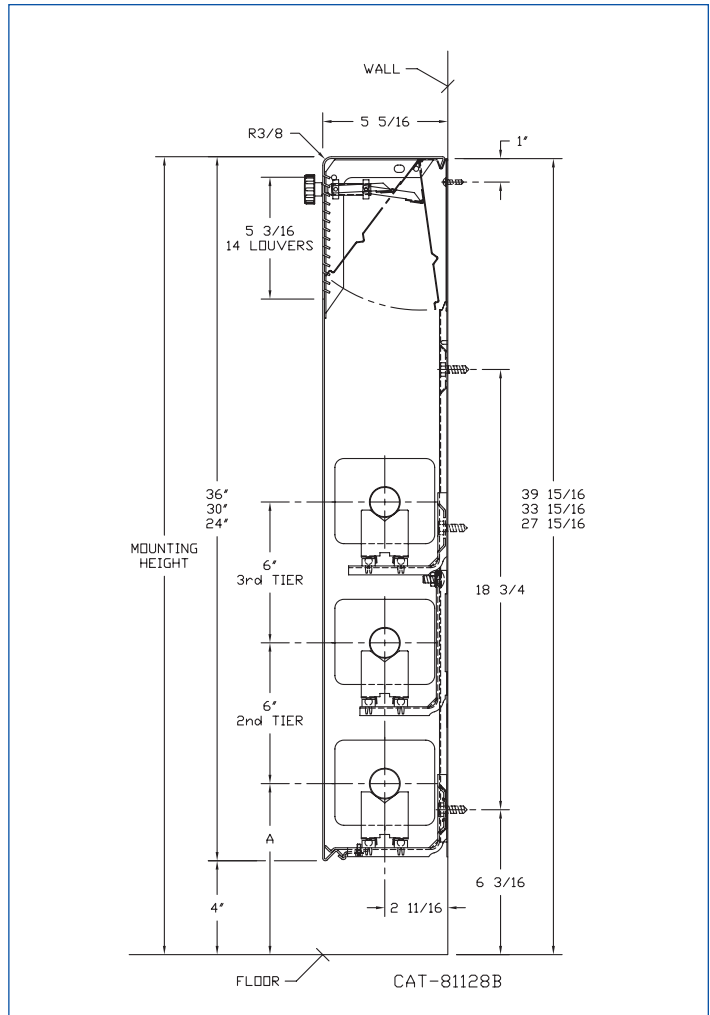
**STYLE LT Series "S"**
**STEEL ELEMENT RATINGS**
ALL RATINGS ARE BASED ON 3 FPS WATER VELOCITY, 65" EAT

TUBE SIZE	CATALOG DESIGNATION	FIN SIZE HEIGHT X WIDTH	FIN PER FT.	FIN THICKNESS IN INCHES	ENCL DEPTH AND HEIGHT IN INCHES	TIERS AND CENTERS IN INCHES	MTG. HEIGHT IN INCHES	STEAM 215°F FACTOR	HOT WATER (AVG.)													
									200°F	190°F	180°F	170°F	160°F	150°F	140°F	130°F	120°F	110°F	100°F			
									CORRECTION FACTORS FOR AVERAGE WATER TEMPERATURES													
											1.00	0.86	0.78	0.69	0.61	0.53	0.45	.40	.33	.26	.20	.15
1"	S43	4-1/4" SQ.	32	.032	24B	1	28	1500	1290	1170	1040	920	800	680	600	500	390	300	230			
					24B	2-6 CL	28	2270	1950	1770	1570	1380	1200	1020	910	750	590	450	340			
					24B	3-6 CL	28	2610	2240	2040	1800	1590	1380	1170	1040	860	680	520	390			
					30B	1	34	1670	1440	1300	1150	1020	890	750	670	550	430	330	250			
					30B	2-6 CL	34	2210	1900	1720	1520	1350	1170	990	880	730	570	440	330			
					30B	3-6 CL	34	2540	2180	1980	1750	1550	1350	1140	1020	840	660	510	380			
					36B	1	40	1840	1580	1440	1270	1120	980	830	740	610	480	370	280			
					36B	2-6 CL	40	2440	2100	1900	1680	1490	1290	1100	980	810	630	490	370			
1"	S44	4-1/4" SQ.	40	.032	24B	1	28	1740	1500	1360	1200	1060	920	780	700	570	450	350	260			
					24B	2-6 CL	28	2490	2140	1940	1720	1520	1320	1120	1000	820	650	500	370			
					24B	3-6 CL	28	2840	2440	2220	1960	1730	1510	1280	1140	940	740	570	430			
					30B	1	34	1930	1660	1510	1330	1180	1020	870	770	640	500	390	290			
					30B	2-6 CL	34	2560	2200	2000	1770	1560	1360	1150	1020	840	670	510	380			
					30B	3-6 CL	34	2920	2510	2280	2010	1780	1550	1310	1170	960	760	580	440			
					36B	1	40	2120	1820	1650	1460	1290	1120	950	850	700	550	420	320			
					36B	2-6 CL	40	2810	2420	2190	1940	1710	1490	1260	1120	930	730	560	420			
1"	S45	4-1/4" SQ.	50	.032	24B	1	28	1825	1570	1420	1260	1110	970	820	730	600	470	370	270			
					24B	2-6 CL	28	2550	2190	1990	1760	1560	1350	1150	1020	840	660	510	380			
					24B	3-6 CL	28	2880	2480	2250	1990	1760	1530	1300	1150	950	750	580	430			
					30B	1	34	2030	1750	1580	1400	1240	1080	910	810	670	530	410	300			
					30B	2-6 CL	34	2690	2310	2100	1860	1640	1430	1210	1080	890	700	540	400			
					30B	3-6 CL	34	3040	2610	2370	2100	1850	1610	1370	1220	1000	790	610	460			
					36B	1	40	2240	1930	1750	1550	1370	1190	1010	900	740	580	450	340			
					36B	2-6 CL	40	2970	2550	2320	2050	1810	1570	1340	1190	980	770	590	450			
1-1/4"	S143	4-1/4" SQ.	32	.032	24B	1	28	1380	1190	1080	950	840	730	620	550	460	360	280	210			
					24B	2-6 CL	28	2080	1790	1620	1440	1270	1100	940	830	690	540	420	310			
					24B	3-6 CL	28	2390	2060	1860	1650	1460	1270	1080	960	790	620	480	360			
					30B	1	34	1530	1320	1190	1060	930	810	690	610	500	400	310	230			
					30B	2-6 CL	34	2030	1750	1580	1400	1240	1080	910	810	670	530	410	300			
					30B	3-6 CL	34	2330	2000	1820	1610	1420	1230	1050	930	770	610	470	350			
					36B	1	40	1680	1440	1310	1160	1020	890	760	670	550	440	340	250			
					36B	2-6 CL	40	2220	1910	1730	1530	1350	1180	1000	890	730	580	440	330			
1-1/4"	S144	4-1/4" SQ.	40	.032	24B	1	28	1730	1490	1350	1190	1060	920	780	690	570	450	350	260			
					24B	2-6 CL	28	2480	2130	1930	1710	1510	1310	1120	990	820	640	500	370			
					24B	3-6 CL	28	2830	2430	2210	1950	1730	1500	1270	1130	930	740	570	420			
					30B	1	34	1920	1650	1500	1320	1170	1020	860	770	630	500	380	290			
					30B	2-6 CL	34	2540	2180	1980	1750	1550	1350	1140	1020	840	660	510	380			
					30B	3-6 CL	34	2900	2490	2260	2000	1770	1540	1310	1160	960	750	580	440			
					36B	1	40	2110	1810	1650	1460	1290	1120	950	840	700	550	420	320			
					36B	2-6 CL	40	2790	2400	2180	1930	1700	1480	1260	1120	920	730	560	420			
1-1/4"	S145	4-1/4" SQ.	50	.032	24B	1	28	1810	1560	1410	1250	1100	960	810	720	600	470	360	270			
					24B	2-6 CL	28	2500	2150	1950	1720	1530	1330	1130	1000	830	650	500	380			
					24B	3-6 CL	28	2820	2430	2200	1950	1720	1490	1270	1130	930	730	560	420			
					30B	1	34	2010	1730	1570	1390	1230	1070	900	800	660	520	400	300			
					30B	2-6 CL	34	2660	2290	2070	1840	1620	1410	1200	1060	880	690	530	400			
					30B	3-6 CL	34	3010	2590	2350	2080	1840	1600	1350	1200	990	780	600	450			
					36B	1	40	2210	1900	1720	1520	1350	1170	990	880	730	570	440	330			
					36B	2-6 CL	40	2930	2520	2290	2020	1790	1550	1320	1170	970	760	590	440			
2"	S242	4-1/4" SQ.	25	.032	24B	1	28	1250	1080	980	860	760	660	560	500	410	330	250	190			
					24B	2-6 CL	28	1940	1670	1510	1340	1180	1030	870	780	640	500	390	290			
					24B	3-6 CL	28	2230	1920	1740	1540	1360	1180	1000	890	740	580	450	330			
					30B	1	34	1390	1200	1080	960	850	740	630	560	460	360	280	210			
					30B	2-6 CL	34	1840	1580	1440	1270	1120	980	830	740	610	480	370	280			
					30B	3-6 CL	34	2120	1820	1650	1460	1290	1120	950	850	700	550	420	320			
					36B	1	40	1530	1320	1190	1060	930	810	690	610	500	400	310	230			
					36B	2-6 CL	40	2030	1750	1580	1400	1240	1080	910	810	670	530	410	300			
2"	S243	4-1/4" SQ.	32	.032	24B	1	28	1490	1280	1160	1030	910	790	670	600	490	390	300	220			
					24B	2-6 CL	28	2180	1870	1700	1500	1330	1160	980	870	720	570	440	330			
					24B	3-6 CL	28	2510	2160	1960	1730	1530	1330	1130	1000	830	650	500	380			
					30B	1	34	1660	1430	1290	1150	1010	880	750	660	550	430	330	250			
					30B	2-6 CL	34	2200	1890	1720	1520	1340	1170	990	880	730	570	440	330			
					30B	3-6 CL	34	2530	2180	1970	1750	1540	1340	1140	1010	830	660	510	380			
					36B	1	40	1830	1570	1430	1260	1120	970	820	730	600	480	370	270			
					36B	2-6 CL	40	2420	2080	1890	1670	1480	1280	1090	970	800	630	480	360			
36B	3-6 CL	40	2780	2390	2170	1920	1700	1470	1250	1110	920	720	560	420								



# JVB-F Style "F" Front Outlet

ELEMENT TUBE SIZE	FIN SIZE HEIGHT x WIDTH	CRADLE NUMBER	A
3/4" COPPER	3-5/8 x 4-1/4	2	7"
3/4" COPPER	4-1/4 x 4-1/4	3A	7-3/8"
1" COPPER	3-5/8 x 4-1/4	2	7-3/16"
1" COPPER	4-1/4 x 4-1/4	2	7-3/16"
1-1/4" COPPER	3-5/8 x 4-1/4	2	7-5/16"
1-1/4" COPPER	4-1/4 x 4-1/4	2	7-5/16"
1" STEEL	4-1/4 x 4-1/4	2	7-5/16"
1-1/4" STEEL	4-1/4 x 4-1/4	2	7-1/2"
2" STEEL	4-1/4 x 4-1/4	1	7-1/4"





**COPPER/ALUMINUM ELEMENT RATINGS**
ALL RATINGS ARE BASED ON 3 FPS WATER VELOCITY, 65°F AT
**STYLE LT Series "F"**

TUBE SIZE	CATALOG DESIGNATION	FIN SIZE HEIGHT X WIDTH	FIN PER FT.	FIN THICKNESS IN INCHES	ENCL DEPTH AND HEIGHT IN INCHES	TIERS AND CENTERS IN INCHES	MTG. HEIGHT IN INCHES	STEAM 215°F FACTOR	HOT WATER (AVG.)													
									200°F	190°F	180°F	170°F	160°F	150°F	140°F	130°F	120°F	110°F	100°F			
									CORRECTION FACTORS FOR AVERAGE WATER TEMPERATURES													
											1.00	0.86	0.78	0.69	0.61	0.53	0.45	.40	.33	.26	.20	.15
3/4"	C3/4-433	3-5/8" x 4-1/4"	32	.020	24B	1	28	1620	1390	1260	1120	990	860	730	650	530	420	320	240			
					24B	2-6 CL	28	2410	2070	1880	1660	1470	1280	1080	960	800	630	480	360			
					24B	3-6 CL	28	2770	2380	2160	1910	1690	1470	1250	1110	910	720	550	420			
					30B	1	34	1800	1550	1400	1240	1100	950	810	720	590	470	360	270			
					30B	2-6 CL	34	2380	2050	1860	1640	1450	1260	1070	950	790	620	480	360			
					30B	3-6 CL	34	2740	2360	2140	1890	1670	1450	1230	1100	900	710	550	410			
					36B	1	40	1980	1700	1540	1370	1210	1050	890	790	650	510	400	300			
					36B	2-6 CL	40	2620	2250	2040	1810	1600	1390	1180	1050	860	680	520	390			
					36B	3-6 CL	40	3010	2590	2350	2080	1840	1600	1350	1200	990	780	600	450			
					24B	1	28	1870	1610	1460	1290	1140	990	840	750	620	490	370	280			
					24B	2-6 CL	28	2670	2300	2080	1840	1630	1420	1200	1070	880	690	530	400			
					24B	3-6 CL	28	3040	2610	2370	2100	1850	1610	1370	1220	1000	790	610	460			
30B	1	34	2080	1790	1620	1440	1270	1100	940	830	690	540	420	310								
30B	2-6 CL	34	2750	2370	2150	1900	1680	1460	1240	1100	910	720	550	410								
30B	3-6 CL	34	3130	2690	2440	2160	1910	1660	1410	1250	1030	810	630	470								
36B	1	40	2290	1970	1790	1580	1400	1210	1030	920	760	600	460	340								
36B	2-6 CL	40	3030	2610	2360	2090	1850	1610	1360	1210	1000	790	610	450								
36B	3-6 CL	40	3450	2970	2690	2380	2100	1830	1550	1380	1140	900	690	520								
24B	1	28	2230	1920	1740	1540	1360	1180	1000	890	740	580	450	330								
24B	2-6 CL	28	2940	2530	2290	2030	1790	1560	1320	1180	970	760	590	440								
24B	3-6 CL	28	3320	2860	2590	2290	2030	1760	1490	1330	1100	860	660	500								
30B	1	34	2480	2130	1930	1710	1510	1310	1120	990	820	640	500	370								
30B	2-6 CL	34	3280	2820	2560	2260	2000	1740	1480	1310	1080	850	660	490								
30B	3-6 CL	34	3710	3190	2890	2560	2260	1970	1670	1480	1220	960	740	560								
36B	1	40	2730	2350	2130	1880	1670	1450	1230	1090	900	710	550	410								
36B	2-6 CL	40	3610	3100	2820	2490	2200	1910	1620	1440	1190	940	720	540								
36B	3-6 CL	40	4080	3510	3180	2820	2490	2160	1840	1630	1350	1060	820	610								
24B	1	28	1640	1410	1280	1130	1000	870	740	660	540	430	330	250								
24B	2-6 CL	28	2540	2180	1980	1750	1550	1350	1140	1020	840	660	510	380								
24B	3-6 CL	28	2920	2510	2280	2010	1780	1550	1310	1170	960	760	580	440								
30B	1	34	1820	1570	1420	1260	1110	960	820	730	600	470	360	270								
30B	2-6 CL	34	2410	2070	1880	1660	1470	1280	1080	960	800	630	480	360								
30B	3-6 CL	34	2770	2380	2160	1910	1690	1470	1250	1110	910	720	550	420								
36B	1	40	2000	1720	1560	1380	1220	1060	900	800	660	520	400	300								
36B	2-6 CL	40	2650	2280	2070	1830	1620	1400	1190	1060	870	690	530	400								
36B	3-6 CL	40	3050	2620	2380	2100	1860	1620	1370	1220	1010	790	610	460								
24B	1	28	1950	1680	1520	1350	1190	1030	880	780	640	510	390	290								
24B	2-6 CL	28	2750	2370	2150	1900	1680	1460	1240	1100	910	720	550	410								
24B	3-6 CL	28	3130	2690	2440	2160	1910	1660	1410	1250	1030	810	630	470								
30B	1	34	2170	1870	1690	1500	1320	1150	980	870	720	560	430	330								
30B	2-6 CL	34	2870	2470	2240	1980	1750	1520	1290	1150	950	750	570	430								
30B	3-6 CL	34	3270	2810	2550	2260	1990	1730	1470	1310	1080	850	650	490								
36B	1	40	2390	2060	1860	1650	1460	1270	1080	960	790	620	480	360								
36B	2-6 CL	40	3160	2720	2460	2180	1930	1670	1420	1260	1040	820	630	470								
36B	3-6 CL	40	3600	3100	2810	2480	2200	1910	1620	1440	1190	940	720	540								
24B	1	28	2330	2000	1820	1610	1420	1230	1050	930	770	610	470	350								
24B	2-6 CL	28	2760	2370	2150	1900	1680	1460	1240	1100	910	720	550	410								
24B	3-6 CL	28	3120	2680	2430	2150	1900	1650	1400	1250	1030	810	620	470								
30B	1	34	2590	2230	2020	1790	1580	1370	1170	1040	850	670	520	390								
30B	2-6 CL	34	3430	2950	2680	2370	2090	1820	1540	1370	1130	890	690	510								
30B	3-6 CL	34	3880	3340	3030	2680	2370	2060	1750	1550	1280	1010	780	580								
36B	1	40	2850	2450	2220	1970	1740	1510	1280	1140	940	740	570	430								
36B	2-6 CL	40	3770	3240	2940	2600	2300	2000	1700	1510	1240	980	750	570								
36B	3-6 CL	40	4260	3660	3320	2940	2600	2260	1920	1700	1410	1110	850	640								
24B	1	28	1600	1380	1250	1100	980	850	720	640	530	420	320	240								
24B	2-6 CL	28	2500	2150	1950	1720	1530	1330	1130	1000	830	650	500	380								
24B	3-6 CL	28	2880	2480	2250	1990	1760	1530	1300	1150	950	750	580	430								
30B	1	34	1780	1530	1390	1230	1090	940	800	710	590	460	360	270								
30B	2-6 CL	34	2360	2030	1840	1630	1440	1250	1060	940	780	610	470	350								
30B	3-6 CL	34	2710	2330	2110	1870	1650	1440	1220	1080	890	700	540	410								
36B	1	40	1960	1690	1530	1350	1200	1040	880	780	650	510	390	290								
36B	2-6 CL	40	2600	2240	2030	1790	1590	1380	1170	1040	860	680	520	390								
36B	3-6 CL	40	2990	2570	2330	2060	1820	1580	1350	1200	990	780	600	450								
24B	1	28	1910	1640	1490	1320	1170	1010	860	760	630	500	380	290								
24B	2-6 CL	28	2700	2320	2110	1860	1650	1430	1220	1080	890	700	540	410								
24B	3-6 CL	28	3080	2650	2400	2130	1880	1630	1390	1230	1020	800	620	460								
30B	1	34	2120	1820	1650	1460	1290	1120	950	850	700	550	420	320								
30B	2-6 CL	34	2810	2420	2190	1940	1710	1490	1260	1120	930	730	560	420								
30B	3-6 CL	34	3200	2750	2500	2210	1950	1700	1440	1280	1060	830	640	480								
36B	1	40	2330	2000	1820	1610	1420	1230	1050	930	770	610	470	350								
36B	2-6 CL	40	3080	2650	2400	2130	1880	1630	1390	1230	1020	800	620	460								
36B	3-6 CL	40	3510	3020	2740	2420	2140	1860	1580	1400	1160	910	700	530								
24B	1	28	2230	1920	1740	1540	1360	1180	1000	890	740	580	450	330								
24B	2-6 CL	28	2650	2280	2070	1830	1620	1400	1190	1060	870	690	530	400								
24B	3-6 CL	28	2990	2570	2330	2060	1820	1580	1350	1200	990	780	600	450								
30B	1	34	2480	2130	1930	1710	1510	1310	1120	990	820	640	500	370								
30B	2-6 CL	34	3280	2820	2560	2260	2000	1740	1480	1310	1080	850	660	490								
30B	3-6 CL	34	3710	3190	2890	2560	2260	1970	1670	1480	1220	960	740	560								
36B	1	40	2730	2350	2130	1880	1670	1450	1230	1090	900	710	550	410								
36B	2-6 CL	40	3610	3100	2820	2490	2200	1910	1620	1440	1190	940	720	540								
36B	3-6 CL	40	4080	3510	3180	2820	2490	2160	1840	1630	1350	1060	820	610								

# JVB-F Style "F" Front Outlet

## COPPER/ALUMINUM ELEMENT RATINGS

ALL RATINGS ARE BASED ON 3 FPS WATER VELOCITY, 65°F AT

### STYLE LT Series "F"

TUBE SIZE	CATALOG DESIGNATION	FIN SIZE HEIGHT X WIDTH	FIN PER FT.	FIN THICKNESS IN INCHES	ENCL DEPTH AND HEIGHT IN INCHES	TIERS AND CENTERS IN INCHES	MTG. HEIGHT IN INCHES	STEAM 215°F FACTOR	HOT WATER (AVG.)																
									200°F	190°F	180°F	170°F	160°F	150°F	140°F	130°F	120°F	110°F	100°F						
									CORRECTION FACTORS FOR AVERAGE WATER TEMPERATURES																
											1.00	0.86	0.78	0.69	0.61	0.53	0.45	.40	.33	.26	.20	.15			
3/4"	C3/4-43	4-1/4" SQ.	32	.020	24B	1	28	1720	1480	1340	1190	1050	910	770	690	570	450	340	260						
					24B	2-6 CL	28	2650	2280	2070	1830	1620	1400	1190	1060	870	690	530	400						
					24B	3-6 CL	28	3050	2620	2380	2100	1860	1620	1370	1220	1010	790	610	460						
					30B	1	34	1910	1640	1490	1320	1170	1010	860	760	630	500	380	290						
					30B	2-6 CL	34	2530	2180	1970	1750	1540	1340	1140	1010	830	660	510	380						
					30B	3-6 CL	34	2910	2500	2270	2010	1780	1540	1310	1160	960	760	580	440						
	3/4"	C3/4-44	4-1/4" SQ.	40	.020	24B	1	28	2290	1970	1790	1580	1400	1210	1030	920	760	600	460	340					
						24B	2-6 CL	28	3000	2580	2340	2070	1830	1590	1350	1200	990	780	600	450					
						24B	3-6 CL	28	3420	2940	2670	2360	2090	1810	1540	1370	1130	890	680	510					
						30B	1	34	2550	2190	1990	1760	1560	1350	1150	1020	840	660	510	380					
						30B	2-6 CL	34	3380	2910	2640	2330	2060	1790	1520	1350	1120	880	680	510					
						30B	3-6 CL	34	3850	3310	3000	2660	2350	2040	1730	1540	1270	1000	770	580					
3/4"	C3/4-45	4-1/4" SQ.	50	.020	24B	1	28	2400	2060	1870	1660	1460	1270	1080	960	790	620	480	360						
					24B	2-6 CL	28	3185	2740	2480	2200	1940	1690	1430	1270	1050	830	640	480						
					24B	3-6 CL	28	3600	3100	2810	2480	2200	1910	1620	1440	1190	940	720	540						
					30B	1	34	2670	2300	2080	1840	1630	1420	1200	1070	880	690	530	400						
					30B	2-6 CL	34	3540	3040	2760	2440	2160	1880	1590	1420	1170	920	710	530						
					30B	3-6 CL	34	4000	3440	3120	2760	2440	2120	1800	1600	1320	1040	800	600						
1"	C43	4-1/4" SQ.	32	.020	24B	1	28	2400	2060	1870	1660	1460	1270	1080	960	790	620	480	360						
					24B	2-6 CL	28	3185	2740	2480	2200	1940	1690	1430	1270	1050	830	640	480						
					24B	3-6 CL	28	3600	3100	2810	2480	2200	1910	1620	1440	1190	940	720	540						
					30B	1	34	2670	2300	2080	1840	1630	1420	1200	1070	880	690	530	400						
					30B	2-6 CL	34	3540	3040	2760	2440	2160	1880	1590	1420	1170	920	710	530						
					30B	3-6 CL	34	4000	3440	3120	2760	2440	2120	1800	1600	1320	1040	800	600						
	1"	C44	4-1/4" SQ.	40	.020	24B	1	28	2400	2060	1870	1660	1460	1270	1080	960	790	620	480	360					
						24B	2-6 CL	28	3185	2740	2480	2200	1940	1690	1430	1270	1050	830	640	480					
						24B	3-6 CL	28	3600	3100	2810	2480	2200	1910	1620	1440	1190	940	720	540					
						30B	1	34	2670	2300	2080	1840	1630	1420	1200	1070	880	690	530	400					
						30B	2-6 CL	34	3540	3040	2760	2440	2160	1880	1590	1420	1170	920	710	530					
						30B	3-6 CL	34	4000	3440	3120	2760	2440	2120	1800	1600	1320	1040	800	600					
1"	C45	4-1/4" SQ.	50	.020	24B	1	28	2400	2060	1870	1660	1460	1270	1080	960	790	620	480	360						
					24B	2-6 CL	28	3185	2740	2480	2200	1940	1690	1430	1270	1050	830	640	480						
					24B	3-6 CL	28	3600	3100	2810	2480	2200	1910	1620	1440	1190	940	720	540						
					30B	1	34	2670	2300	2080	1840	1630	1420	1200	1070	880	690	530	400						
					30B	2-6 CL	34	3540	3040	2760	2440	2160	1880	1590	1420	1170	920	710	530						
					30B	3-6 CL	34	4000	3440	3120	2760	2440	2120	1800	1600	1320	1040	800	600						
1-1/4"	C143	4-1/4" SQ.	32	.020	24B	1	28	1730	1490	1350	1190	1060	920	780	690	570	450	350	260						
					24B	2-6 CL	28	2640	2270	2060	1820	1610	1400	1190	1060	870	690	530	400						
					24B	3-6 CL	28	3040	2610	2370	2100	1850	1610	1370	1220	1000	790	610	460						
					30B	1	34	1920	1650	1500	1320	1170	1020	860	770	630	500	380	290						
					30B	2-6 CL	34	2540	2180	1980	1750	1550	1350	1140	1020	840	660	510	380						
					30B	3-6 CL	34	2920	2510	2280	2010	1780	1550	1310	1170	960	760	580	440						
	1-1/4"	C144	4-1/4" SQ.	40	.020	24B	1	28	2100	1810	1640	1450	1280	1110	950	840	690	550	420	320					
						24B	2-6 CL	28	2810	2420	2190	1940	1710	1490	1260	1120	930	730	560	420					
						24B	3-6 CL	28	3200	2750	2500	2210	1950	1700	1440	1280	1060	830	640	480					
						30B	1	34	2340	2010	1830	1610	1430	1240	1050	940	770	610	470	350					
						30B	2-6 CL	34	3100	2670	2420	2140	1890	1640	1400	1240	1020	810	620	470					
						30B	3-6 CL	34	3530	3040	2750	2440	2150	1870	1590	1410	1160	920	710	530					
1-1/4"	C145	4-1/4" SQ.	50	.020	24B	1	28	2400	2060	1870	1660	1460	1270	1080	960	790	620	480	360						
					24B	2-6 CL	28	3280	2870	2620	2340	2060	1810	1560	1310	1060	810	610	440						
					24B	3-6 CL	28	3740	3240	2990	2670	2390	2110	1830	1600	1320	1040	790	580						
					30B	1	34	2670	2300	2080	1840	1630	1420	1200	1070	880	690	530	400						
					30B	2-6 CL	34	3540	3040	2760	2440	2160	1880	1590	1420	1170	920	710	530						
					30B	3-6 CL	34	4000	3440	3120	2760	2440	2120	1800	1600	1320	1040	800	600						

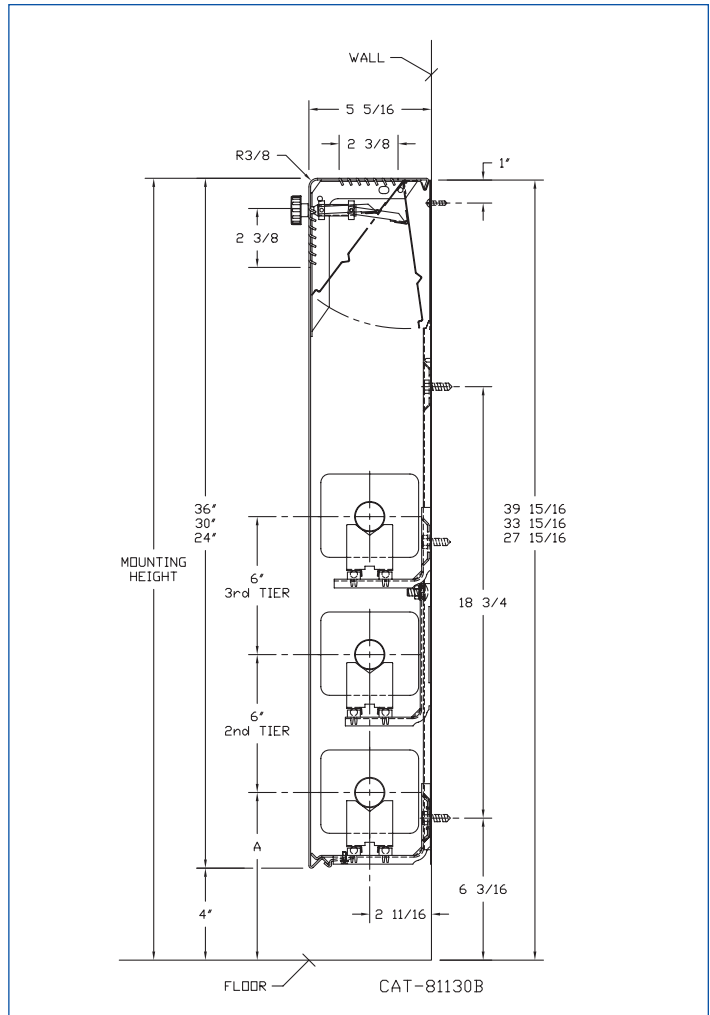
**STYLE LT Series "F"**
**STEEL ELEMENT RATINGS**
ALL RATINGS ARE BASED ON 3 FPS WATER VELOCITY, 65" EAT

TUBE SIZE	CATALOG DESIGNATION	FIN SIZE HEIGHT X WIDTH	FIN PER FT.	FIN THICKNESS IN INCHES	ENCL DEPTH AND HEIGHT IN INCHES	TIERS AND CENTERS IN INCHES	MTG. HEIGHT IN INCHES	STEAM 215°F FACTOR	HOT WATER (AVG.)											
									200°F	190°F	180°F	170°F	160°F	150°F	140°F	130°F	120°F	110°F	100°F	
									CORRECTION FACTORS FOR AVERAGE WATER TEMPERATURES											
									1.00	0.86	0.78	0.69	0.61	0.53	0.45	.40	.33	.26	.20	.15
1"	S43	4-1/4" SQ.	32	.032	24B	1	28	1470	1260	1150	1010	900	780	660	590	490	380	290	220	
					24B	2-6 CL	28	2225	1910	1740	1540	1360	1180	1000	890	730	580	450	330	
					24B	3-6 CL	28	2560	2200	2000	1770	1560	1360	1150	1020	840	670	510	380	
					30B	1	34	1630	1400	1270	1120	990	860	730	650	540	420	330	240	
					30B	2-6 CL	34	2160	1860	1680	1490	1320	1140	970	860	710	560	430	320	
					30B	3-6 CL	34	2480	2130	1930	1710	1510	1310	1120	990	820	640	500	370	
					36B	1	40	1790	1540	1400	1240	1090	950	810	720	590	470	360	270	
					36B	2-6 CL	40	2370	2040	1850	1640	1450	1260	1070	950	780	620	470	360	
36B	3-6 CL	40	2730	2350	2130	1880	1670	1450	1230	1090	900	710	550	410						
1"	S44	4-1/4" SQ.	40	.032	24B	1	28	1705	1470	1330	1180	1040	900	770	680	560	440	340	260	
					24B	2-6 CL	28	2440	2100	1900	1680	1490	1290	1100	980	810	630	490	370	
					24B	3-6 CL	28	2780	2390	2170	1920	1700	1470	1250	1110	920	720	560	420	
					30B	1	34	1900	1630	1480	1310	1160	1010	860	760	630	490	380	290	
					30B	2-6 CL	34	2520	2170	1970	1740	1540	1340	1130	1010	830	660	500	380	
					30B	3-6 CL	34	2870	2470	2240	1980	1750	1520	1290	1150	950	750	570	430	
					36B	1	40	2090	1800	1630	1440	1270	1110	940	840	690	540	420	310	
					36B	2-6 CL	40	2770	2380	2160	1910	1690	1470	1250	1110	910	720	550	420	
36B	3-6 CL	40	3160	2720	2460	2180	1930	1670	1420	1260	1040	820	630	470						
1"	S45	4-1/4" SQ.	50	.032	24B	1	28	1790	1540	1400	1240	1090	950	810	720	590	470	360	270	
					24B	2-6 CL	28	2500	2150	1950	1720	1530	1330	1130	1000	830	650	500	380	
					24B	3-6 CL	28	2820	2430	2200	1950	1720	1490	1270	1130	930	730	560	420	
					30B	1	34	1990	1710	1550	1370	1210	1050	900	800	660	520	400	300	
					30B	2-6 CL	34	2630	2260	2050	1810	1600	1390	1180	1050	870	680	530	390	
					30B	3-6 CL	34	2970	2550	2320	2050	1810	1570	1340	1190	980	770	590	450	
					36B	1	40	2190	1880	1710	1510	1340	1160	990	880	720	570	440	330	
					36B	2-6 CL	40	2900	2490	2260	2000	1770	1540	1310	1160	960	750	580	440	
36B	3-6 CL	40	3280	2820	2560	2260	2000	1740	1480	1310	1080	850	660	490						
1-1/4"	S143	4-1/4" SQ.	32	.032	24B	1	28	1280	1100	1000	880	780	680	580	510	420	330	260	190	
					24B	2-6 CL	28	2060	1770	1610	1420	1260	1090	930	820	680	540	410	310	
					24B	3-6 CL	28	2370	2040	1850	1640	1450	1260	1070	950	780	620	470	360	
					30B	1	34	1420	1220	1110	980	870	750	640	570	470	370	280	210	
					30B	2-6 CL	34	1880	1620	1470	1300	1150	1000	850	750	620	490	380	280	
					30B	3-6 CL	34	2160	1860	1680	1490	1320	1140	970	860	710	560	430	320	
					36B	1	40	1560	1340	1220	1080	950	830	700	620	510	410	310	230	
					36B	2-6 CL	40	2070	1780	1610	1430	1260	1100	930	830	680	540	410	310	
36B	3-6 CL	40	2380	2050	1860	1640	1450	1260	1070	950	790	620	480	360						
1-1/4"	S144	4-1/4" SQ.	40	.032	24B	1	28	1660	1430	1290	1150	1010	880	750	660	550	430	330	250	
					24B	2-6 CL	28	2400	2060	1870	1660	1460	1270	1080	960	790	620	480	360	
					24B	3-6 CL	28	2740	2360	2140	1890	1670	1450	1230	1100	900	710	550	410	
					30B	1	34	1850	1590	1440	1280	1130	980	830	740	610	480	370	280	
					30B	2-6 CL	34	2450	2110	1910	1690	1490	1300	1100	980	810	640	490	370	
					30B	3-6 CL	34	2790	2400	2180	1930	1700	1480	1260	1120	920	730	560	420	
					36B	1	40	2040	1750	1590	1410	1240	1080	920	820	670	530	410	310	
					36B	2-6 CL	40	2700	2320	2110	1860	1650	1430	1220	1080	890	700	540	410	
36B	3-6 CL	40	3080	2650	2400	2130	1880	1630	1390	1230	1020	800	620	460						
1-1/4"	S145	4-1/4" SQ.	50	.032	24B	1	28	1775	1530	1380	1220	1080	940	800	710	590	460	360	270	
					24B	2-6 CL	28	2450	2110	1910	1690	1490	1300	1100	980	810	640	490	370	
					24B	3-6 CL	28	2770	2380	2160	1910	1690	1470	1250	1110	910	720	550	420	
					30B	1	34	1970	1690	1540	1360	1200	1040	890	790	650	510	390	300	
					30B	2-6 CL	34	2610	2240	2040	1800	1590	1380	1170	1040	860	680	520	390	
					30B	3-6 CL	34	2950	2540	2300	2040	1800	1560	1330	1180	970	770	590	440	
					36B	1	40	2170	1870	1690	1500	1320	1150	980	870	720	560	430	330	
					36B	2-6 CL	40	2870	2470	2240	1980	1750	1520	1290	1150	950	750	570	430	
36B	3-6 CL	40	3240	2790	2530	2240	1980	1720	1460	1300	1070	840	650	490						
2"	S242	4-1/4" SQ.	25	.032	24B	1	28	1230	1060	960	850	750	650	550	490	410	320	250	180	
					24B	2-6 CL	28	1940	1670	1510	1340	1180	1030	870	780	640	500	390	290	
					24B	3-6 CL	28	2230	1920	1740	1540	1360	1180	1000	890	740	580	450	330	
					30B	1	34	1370	1180	1070	950	840	730	620	550	450	360	270	210	
					30B	2-6 CL	34	1810	1560	1410	1250	1100	960	810	720	600	470	360	270	
					30B	3-6 CL	34	2080	1790	1620	1440	1270	1100	940	830	690	540	420	310	
					36B	1	40	1510	1300	1180	1040	920	800	680	600	500	390	300	230	
					36B	2-6 CL	40	2000	1720	1560	1380	1220	1060	900	800	660	520	400	300	
36B	3-6 CL	40	2300	1980	1790	1590	1400	1220	1040	920	760	600	460	350						
2"	S243	4-1/4" SQ.	32	.032	24B	1	28	1450	1250	1130	1000	880	770	650	580	480	380	290	220	
					24B	2-6 CL	28	2170	1870	1690	1500	1320	1150	980	870	720	560	430	330	
					24B	3-6 CL	28	2500	2150	1950	1720	1530	1330	1130	1000	830	650	500	380	
					30B	1	34	1610	1380	1260	1110	980	850	720	640	530	420	320	240	
					30B	2-6 CL	34	2130	1830	1660	1470	1300	1130	960	850	700	550	430	320	
					30B	3-6 CL	34	2450	2110	1910	1690	1490	1300	1100	980	810	640	490	370	
					36B	1	40	1770	1520	1380	1220	1080	940	800	710	580	460	350	270	
					36B	2-6 CL	40	2340	2010	1830	1610	1430	1240	1050	940	770	610	470	350	
36B	3-6 CL	40	2690	2310	2100	1860	1640	1430	1210	1080	890	700	540	400						



# JVB-FT Style "FT" Front & Top Outlet

ELEMENT TUBE SIZE	FIN SIZE HEIGHT x WIDTH	CRADLE NUMBER	A
3/4" COPPER	3-5/8 x 4-1/4	2	7"
3/4" COPPER	4-1/4 x 4-1/4	3A	7-3/8"
1" COPPER	3-5/8 x 4-1/4	2	7-3/16"
1" COPPER	4-1/4 x 4-1/4	2	7-3/16"
1-1/4" COPPER	3-5/8 x 4-1/4	2	7-5/16"
1-1/4" COPPER	4-1/4 x 4-1/4	2	7-5/16"
1" STEEL	4-1/4 x 4-1/4	2	7-5/16"
1-1/4" STEEL	4-1/4 x 4-1/4	2	7-1/2"
2" STEEL	4-1/4 x 4-1/4	1	7-1/4"



### COPPER/ALUMINUM ELEMENT RATINGS

ALL RATINGS ARE BASED ON 3 FPS WATER VELOCITY, 65°EAT

#### STYLE LT Series "FT"

TUBE SIZE	CATALOG DESIGNATION	FIN SIZE HEIGHT X WIDTH	FIN PER FT.	FIN THICKNESS IN INCHES	ENCL DEPTH AND HEIGHT IN INCHES	TIERS AND CENTERS IN INCHES	MTG. HEIGHT IN INCHES	STEAM 215°F FACTOR	HOT WATER (AVG.)													
									200°F	190°F	180°F	170°F	160°F	150°F	140°F	130°F	120°F	110°F	100°F			
									CORRECTION FACTORS FOR AVERAGE WATER TEMPERATURES													
											1.00	0.86	0.78	0.69	0.61	0.53	0.45	.40	.33	.26	.20	.15
3/4"	C3/4-433	3-5/8" x 4-1/4"	32	.020	24B	1	28	1560	1340	1220	1080	950	830	700	620	510	410	310	230			
					24B	2-6 CL	28	2230	1920	1740	1540	1360	1180	1000	890	740	580	450	330			
					24B	3-6 CL	28	2560	2200	2000	1770	1560	1360	1150	1020	840	670	510	380			
					30B	1	34	1730	1490	1350	1190	1060	920	780	690	570	450	350	260			
					30B	2-6 CL	34	2290	1970	1790	1580	1400	1210	1030	920	760	600	460	340			
					30B	3-6 CL	34	2630	2260	2050	1810	1600	1390	1180	1050	870	680	530	390			
	3/4"	C3/4-434	3-5/8" x 4-1/4"	40	.020	24B	1	28	1740	1500	1360	1200	1060	920	780	700	570	450	350	260		
						24B	2-6 CL	28	2490	2140	1940	1720	1520	1320	1120	1000	820	650	500	370		
						24B	3-6 CL	28	2840	2440	2220	1960	1730	1510	1280	1140	940	740	570	430		
						30B	1	34	1930	1660	1510	1330	1180	1020	870	770	640	500	390	290		
						30B	2-6 CL	34	2560	2200	2000	1770	1560	1360	1150	1020	840	670	510	380		
						30B	3-6 CL	34	2920	2510	2280	2010	1780	1550	1310	1170	960	760	580	440		
3/4"	C3/4-435	3-5/8" x 4-1/4"	50	.020	24B	1	28	1990	1710	1550	1370	1210	1050	900	800	660	520	400	300			
					24B	2-6 CL	28	2860	2460	2230	1970	1740	1520	1290	1140	940	740	570	430			
					24B	3-6 CL	28	3230	2780	2520	2230	1970	1710	1450	1290	1070	840	650	480			
					30B	1	34	2210	1900	1720	1520	1350	1170	990	880	730	570	440	330			
					30B	2-6 CL	34	2930	2520	2290	2020	1790	1550	1320	1170	970	760	590	440			
					30B	3-6 CL	34	3310	2850	2580	2280	2020	1750	1490	1320	1090	860	660	500			
	1"	C433	3-5/8" x 4-1/4"	32	.020	24B	1	28	1570	1350	1220	1080	960	830	710	630	520	410	310	240		
						24B	2-6 CL	28	2380	2050	1860	1640	1450	1260	1070	950	790	620	480	360		
						24B	3-6 CL	28	2740	2360	2140	1890	1670	1450	1230	1100	900	710	550	410		
						30B	1	34	1750	1510	1370	1210	1070	930	790	700	580	460	350	260		
						30B	2-6 CL	34	2320	2000	1810	1600	1420	1230	1040	930	770	600	460	350		
						30B	3-6 CL	34	2670	2300	2080	1840	1630	1420	1200	1070	880	690	530	400		
1"	C434	3-5/8" x 4-1/4"	40	.020	24B	1	28	1930	1660	1510	1330	1180	1020	870	770	640	500	390	290			
					24B	2-6 CL	28	2560	2200	2000	1770	1560	1360	1150	1020	840	670	510	380			
					24B	3-6 CL	28	2940	2530	2290	2030	1790	1560	1320	1180	970	760	590	440			
					30B	1	34	2020	1740	1580	1390	1230	1070	910	810	670	530	400	300			
					30B	2-6 CL	34	2670	2300	2080	1840	1630	1420	1200	1070	880	690	530	400			
					30B	3-6 CL	34	3040	2610	2370	2100	1850	1610	1370	1220	1000	790	610	460			
	1"	C435	3-5/8" x 4-1/4"	50	.020	24B	1	28	2080	1790	1620	1440	1270	1100	940	830	690	540	420	310		
						24B	2-6 CL	28	2680	2300	2090	1850	1630	1420	1210	1070	880	700	540	400		
						24B	3-6 CL	28	3030	2610	2360	2090	1850	1610	1360	1210	1000	790	610	450		
						30B	1	34	2310	1990	1800	1590	1410	1220	1040	920	760	600	460	350		
						30B	2-6 CL	34	3060	2630	2390	2110	1870	1620	1380	1220	1010	800	610	460		
						30B	3-6 CL	34	3460	2980	2700	2390	2110	1830	1560	1380	1140	900	690	520		
1-1/4"	C1433	3-5/8" x 4-1/4"	32	.020	24B	1	28	1540	1320	1200	1060	940	820	690	620	510	400	310	230			
					24B	2-6 CL	28	2340	2010	1830	1610	1430	1240	1050	940	770	610	470	350			
					24B	3-6 CL	28	2690	2310	2100	1860	1640	1430	1210	1080	890	700	540	400			
					30B	1	34	1710	1470	1330	1180	1040	910	770	680	560	440	340	260			
					30B	2-6 CL	34	2260	1940	1760	1560	1380	1200	1020	900	750	590	450	340			
					30B	3-6 CL	34	2600	2240	2030	1790	1590	1380	1170	1040	860	680	520	390			
	1-1/4"	C1434	3-5/8" x 4-1/4"	40	.020	24B	1	28	1880	1620	1470	1300	1150	1000	850	750	620	490	380	280		
						24B	2-6 CL	28	2490	2140	1940	1720	1520	1320	1120	1000	820	650	500	370		
						24B	3-6 CL	28	2860	2460	2230	1970	1740	1520	1290	1140	940	740	570	430		
						30B	1	34	1780	1530	1390	1230	1090	940	800	710	590	460	360	270		
						30B	2-6 CL	34	2520	2170	1970	1740	1540	1340	1130	1010	830	660	500	380		
						30B	3-6 CL	34	2870	2470	2240	1980	1750	1520	1290	1150	950	750	570	430		
1-1/4"	C1435	3-5/8" x 4-1/4"	50	.020	24B	1	28	1980	1700	1540	1370	1210	1050	890	790	650	510	400	300			
					24B	2-6 CL	28	2620	2250	2040	1810	1600	1390	1180	1050	860	680	520	390			
					24B	3-6 CL	28	2990	2570	2330	2060	1820	1580	1350	1200	990	780	600	450			
					30B	1	34	1810	1570	1430	1270	1120	980	870	720	570	440	330				
					30B	2-6 CL	34	2480	2140	1940	1760	1560	1360	1160	1000	820	650	500	370			
					30B	3-6 CL	34	2890	2490	2250	1990	1760	1530	1300	1160	950	750	580	430			

# JVB-FT Style "FT" Front & Top Outlet

## COPPER/ALUMINUM ELEMENT RATINGS

ALL RATINGS ARE BASED ON 3 FPS WATER VELOCITY, 65°F AT

### STYLE LT Series "FT"

TUBE SIZE	CATALOG DESIGNATION	FIN SIZE HEIGHT X WIDTH	FIN PER FT.	FIN THICKNESS IN INCHES	ENCL DEPTH AND HEIGHT IN INCHES	TIERS AND CENTERS IN INCHES	MTG. HEIGHT IN INCHES	STEAM 215°F FACTOR	HOT WATER (AVG.)													
									200°F	190°F	180°F	170°F	160°F	150°F	140°F	130°F	120°F	110°F	100°F			
									CORRECTION FACTORS FOR AVERAGE WATER TEMPERATURES													
											1.00	0.86	0.78	0.69	0.61	0.53	0.45	.40	.33	.26	.20	.15
3/4"	C3/4-43	4-1/4" SQ.	32	.020	24B	1	28	1570	1350	1220	1080	960	830	710	630	520	410	310	240			
					24B	2-6 CL	28	2440	2100	1900	1680	1490	1290	1100	980	810	630	490	370			
					24B	3-6 CL	28	2810	2420	2190	1940	1710	1490	1260	1120	930	730	560	420			
					30B	1	34	1750	1510	1370	1210	1070	930	790	700	580	460	350	260			
					30B	2-6 CL	34	2320	2000	1810	1600	1420	1230	1040	930	770	600	460	350			
					30B	3-6 CL	34	2670	2300	2080	1840	1630	1420	1200	1070	880	690	530	400			
					36B	1	40	1930	1660	1510	1330	1180	1020	870	770	640	500	390	290			
					36B	2-6 CL	40	2560	2200	2000	1770	1560	1360	1150	1020	840	670	510	380			
					36B	3-6 CL	40	2940	2530	2290	2030	1790	1560	1320	1180	970	760	590	440			
					24B	1	28	2120	1820	1650	1460	1290	1120	950	850	700	550	420	320			
					24B	2-6 CL	28	2650	2280	2070	1830	1620	1400	1190	1060	870	690	530	400			
					24B	3-6 CL	28	3020	2600	2360	2080	1840	1600	1360	1210	1000	790	600	450			
3/4"	C3/4-44	4-1/4" SQ.	40	.020	24B	1	34	2360	2030	1840	1630	1440	1250	1060	940	780	610	470	350			
					30B	2-6 CL	34	3120	2680	2430	2150	1900	1650	1400	1250	1030	810	620	470			
					30B	3-6 CL	34	3560	3060	2780	2460	2170	1890	1600	1420	1170	930	710	530			
					36B	1	40	2600	2240	2030	1790	1590	1380	1170	1040	860	680	520	390			
					36B	2-6 CL	40	3440	2960	2680	2370	2100	1820	1550	1380	1140	890	690	520			
					36B	3-6 CL	40	3920	3370	3060	2700	2390	2080	1760	1570	1290	1020	780	590			
					24B	1	28	2040	1750	1590	1410	1240	1080	920	820	670	530	410	310			
					24B	2-6 CL	28	2795	2400	2180	1930	1700	1480	1260	1120	920	730	560	420			
					24B	3-6 CL	28	3160	2720	2460	2180	1930	1670	1420	1260	1040	820	630	470			
					30B	1	34	2270	1950	1770	1570	1380	1200	1020	910	750	590	450	340			
					30B	2-6 CL	34	3010	2590	2350	2080	1840	1600	1350	1200	990	780	600	450			
					30B	3-6 CL	34	3400	2920	2650	2350	2070	1800	1530	1360	1120	880	680	510			
3/4"	C3/4-45	4-1/4" SQ.	50	.020	36B	1	40	2500	2150	1950	1720	1530	1330	1130	1000	830	650	500	380			
					36B	2-6 CL	40	3310	2850	2580	2280	2020	1750	1490	1320	1090	860	660	500			
					36B	3-6 CL	40	3740	3220	2920	2580	2280	1980	1680	1500	1230	970	750	560			
					24B	1	28	1690	1450	1320	1170	1030	900	760	680	560	440	340	250			
					24B	2-6 CL	28	2510	2160	1960	1730	1530	1330	1130	1000	830	650	500	380			
					24B	3-6 CL	28	2890	2490	2250	1990	1760	1530	1300	1160	950	750	580	430			
					30B	1	34	1880	1620	1470	1300	1150	1000	850	750	620	490	380	280			
					30B	2-6 CL	34	2490	2140	1940	1720	1520	1320	1120	1000	820	650	500	370			
					30B	3-6 CL	34	2860	2460	2230	1970	1740	1520	1290	1140	940	740	570	430			
					36B	1	40	2070	1780	1610	1430	1260	1100	930	830	680	540	410	310			
					36B	2-6 CL	40	2740	2360	2140	1890	1670	1450	1230	1100	900	710	550	410			
					36B	3-6 CL	40	3150	2710	2460	2170	1920	1670	1420	1260	1040	820	630	470			
1"	C43	4-1/4" SQ.	32	.020	24B	1	28	2010	1730	1570	1390	1230	1070	900	800	660	520	400	300			
					24B	2-6 CL	28	2700	2320	2110	1860	1650	1430	1220	1080	890	700	540	410			
					24B	3-6 CL	28	3080	2650	2400	2130	1880	1630	1390	1230	1020	800	620	460			
					30B	1	34	2240	1930	1750	1550	1370	1190	1010	900	740	580	450	340			
					30B	2-6 CL	34	2970	2550	2320	2050	1810	1570	1340	1190	980	770	590	450			
					30B	3-6 CL	34	3390	2920	2640	2340	2070	1800	1530	1360	1120	880	680	510			
					36B	1	40	2470	2120	1930	1700	1510	1310	1110	990	820	640	490	370			
					36B	2-6 CL	40	3270	2810	2550	2260	1990	1730	1470	1310	1080	850	650	490			
					36B	3-6 CL	40	3730	3210	2910	2570	2280	1980	1680	1490	1230	970	750	560			
					24B	1	28	2220	1910	1730	1530	1350	1180	1000	890	730	580	440	330			
					24B	2-6 CL	28	2730	2350	2130	1880	1670	1450	1230	1090	900	710	550	410			
					24B	3-6 CL	28	3080	2650	2400	2130	1880	1630	1390	1230	1020	800	620	460			
1"	C44	4-1/4" SQ.	40	.020	30B	1	34	2470	2120	1930	1700	1510	1310	1110	990	820	640	490	370			
					30B	2-6 CL	34	3270	2810	2550	2260	1990	1730	1470	1310	1080	850	650	490			
					30B	3-6 CL	34	3700	3180	2890	2550	2260	1960	1670	1480	1220	960	740	560			
					36B	1	40	2720	2340	2120	1880	1660	1440	1220	1090	900	710	540	410			
					36B	2-6 CL	40	3600	3100	2810	2480	2200	1910	1620	1440	1190	940	720	540			
					36B	3-6 CL	40	4070	3500	3170	2810	2480	2160	1830	1630	1340	1060	810	610			
					24B	1	28	1660	1430	1290	1150	1010	880	750	660	550	430	330	250			
					24B	2-6 CL	28	2470	2120	1930	1700	1510	1310	1110	990	820	640	490	370			
					24B	3-6 CL	28	2840	2440	2220	1960	1730	1510	1280	1140	940	740	570	430			
					30B	1	34	1850	1590	1440	1280	1130	980	830	740	610	480	370	280			
					30B	2-6 CL	34	2450	2110	1910	1690	1490	1300	1100	980	810	640	490	370			
					30B	3-6 CL	34	2820	2430	2200	1950	1720	1490	1270	1130	930	730	560	420			
1-1/4"	C143	4-1/4" SQ.	32	.020	36B	1	40	2040	1750	1590	1410	1240	1080	920	820	670	530	410	310			
					36B	2-6 CL	40	2700	2320	2110	1860	1650	1430	1220	1080	890	700	540	410			
					36B	3-6 CL	40	3100	2670	2420	2140	1890	1640	1400	1240	1020	810	620	470			
					24B	1	28	1970	1690	1540	1360	1200	1040	890	790	650	510	390	300			
					24B	2-6 CL	28	2660	2290	2070	1840	1620	1410	1200	1060	880	690	530	400			
					24B	3-6 CL	28	3030	2610	2360	2090	1850	1610	1360	1210	1000	790	610	450			
					30B	1	34	2190	1880	1710	1510	1340	1160	990	880	720	570	440	330			
					30B	2-6 CL	34	2900	2490	2260	2000	1770	1540	1310	1160	960	750	580	440			
					30B	3-6 CL	34	3310	2850	2580	2280	2020	1750	1490	1320	1090	860	660	500			
					36B	1	40	2410	2070	1880	1660	1470	1280	1080	960	800	630	480	360			
					36B	2-6 CL	40	3190	2740	2490	2200	1950	1690	1440	1280	1050	830	640	480			
					36B	3-6 CL	40	3640	3130	2840	2510	2220	1930	1640	1460	1200	950	730	550			
1-1/4"	C144	4-1/4" SQ.	40	.020	24B	1	28	2190	1880	1710	1510	1340	1160	990	880	720	570	440	330			
					24B	2-6 CL	28	2680	2300	2090	1850	1630	1420	1210	1070	880	700	540	400			
					24B	3-6 CL	28	3030	2610	2360	2090	1850	1610	1360	1210	1000	790	610	450			
					30B	1	34	2440	2100													



### STYLE LT Series "FT"

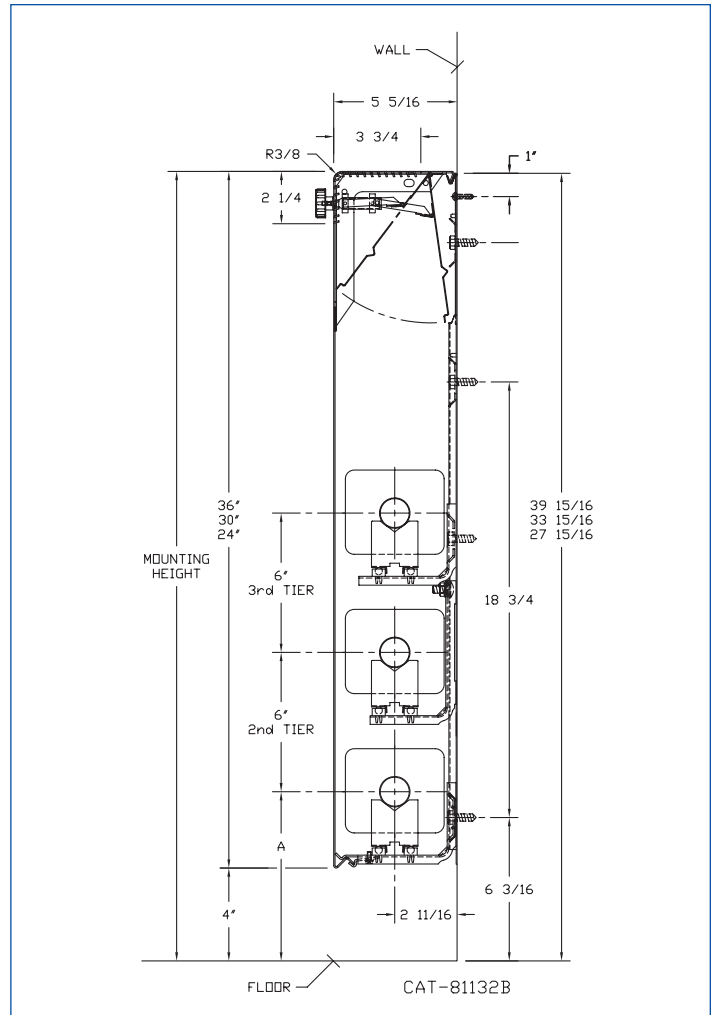
### STEEL ELEMENT RATINGS

ALL RATINGS ARE BASED ON 3 FPS WATER VELOCITY, 65°EAT

TUBE SIZE	CATALOG DESIGNATION	FIN SIZE HEIGHT X WIDTH	FIN PER FT.	FIN THICKNESS IN INCHES	ENCL DEPTH AND HEIGHT IN INCHES	TIERS AND CENTERS IN INCHES	MTG. HEIGHT IN INCHES	STEAM 215°F FACTOR	HOT WATER (AVG.)															
									200°F	190°F	180°F	170°F	160°F	150°F	140°F	130°F	120°F	110°F	100°F					
									CORRECTION FACTORS FOR AVERAGE WATER TEMPERATURES															
								1.00	0.86	0.78	0.69	0.61	0.53	0.45	.40	.33	.26	.20	.15					
1"	S43	4-1/4" SQ.	32	.032	24B	1	28	1460	1260	1140	1010	890	770	660	580	480	380	290	220					
					24B	2-6 CL	28	2095	1800	1630	1450	1280	1110	940	840	690	540	420	310					
					24B	3-6 CL	28	2410	2070	1880	1660	1470	1280	1080	960	800	630	480	360					
					30B	1	34	1620	1390	1260	1120	990	860	730	650	530	420	320	240					
					30B	2-6 CL	34	2140	1840	1670	1480	1310	1130	960	860	710	560	430	320					
					30B	3-6 CL	34	2460	2120	1920	1700	1500	1300	1110	980	810	640	490	370					
					36B	1	40	1780	1530	1390	1230	1090	940	800	710	590	460	360	270					
					36B	2-6 CL	40	2360	2030	1840	1630	1440	1250	1060	940	780	610	470	350					
					36B	3-6 CL	40	2710	2330	2110	1870	1650	1440	1220	1080	890	700	540	410					
					24B	1	28	1605	1380	1250	1110	980	850	720	640	530	420	320	240					
					24B	2-6 CL	28	2295	1970	1790	1580	1400	1220	1030	920	760	600	460	340					
					24B	3-6 CL	28	2620	2250	2040	1810	1600	1390	1180	1050	860	680	520	390					
30B	1	34	1780	1530	1390	1230	1090	940	800	710	590	460	360	270										
30B	2-6 CL	34	2360	2030	1840	1630	1440	1250	1060	940	780	610	470	350										
30B	3-6 CL	34	2690	2310	2100	1860	1640	1430	1210	1080	890	700	540	400										
36B	1	40	1960	1690	1530	1350	1200	1040	880	780	650	510	390	290										
36B	2-6 CL	40	2600	2240	2030	1790	1590	1380	1170	1040	860	680	520	390										
36B	3-6 CL	40	2960	2550	2310	2040	1810	1570	1330	1180	980	770	590	440										
1"	S44	4-1/4" SQ.	40	.032	24B	1	28	1680	1440	1310	1160	1020	890	760	670	550	440	340	250					
					24B	2-6 CL	28	2350	2020	1830	1620	1430	1250	1060	940	780	610	470	350					
					24B	3-6 CL	28	2660	2290	2070	1840	1620	1410	1200	1060	880	690	530	400					
					30B	1	34	1870	1610	1460	1290	1140	990	840	750	620	490	370	280					
					30B	2-6 CL	34	2480	2130	1930	1710	1510	1310	1120	990	820	640	500	370					
					30B	3-6 CL	34	2800	2410	2180	1930	1710	1480	1260	1120	920	730	560	420					
					36B	1	40	2060	1770	1610	1420	1260	1090	930	820	680	540	410	310					
					36B	2-6 CL	40	2730	2350	2130	1880	1670	1450	1230	1090	900	710	550	410					
					36B	3-6 CL	40	3080	2650	2400	2130	1880	1630	1390	1230	1020	800	620	460					
					24B	1	28	1240	1070	970	860	760	660	560	500	410	320	250	190					
					24B	2-6 CL	28	1940	1670	1510	1340	1180	1030	870	780	640	500	390	290					
					24B	3-6 CL	28	2230	1920	1740	1540	1360	1180	1000	890	740	580	450	330					
30B	1	34	1380	1190	1080	950	840	730	620	550	460	360	280	210										
30B	2-6 CL	34	1830	1570	1430	1260	1120	970	820	730	600	480	370	270										
30B	3-6 CL	34	2100	1810	1640	1450	1280	1110	950	840	690	550	420	320										
36B	1	40	1520	1310	1190	1050	930	810	680	610	500	400	300	230										
36B	2-6 CL	40	2010	1730	1570	1390	1230	1070	900	800	660	520	400	300										
36B	3-6 CL	40	2310	1990	1800	1590	1410	1220	1040	920	760	600	460	350										
1-1/4"	S143	4-1/4" SQ.	32	.032	24B	1	28	1660	1430	1290	1150	1010	880	750	660	550	430	330	250					
					24B	2-6 CL	28	2410	2070	1880	1660	1470	1280	1080	960	800	630	480	360					
					24B	3-6 CL	28	2750	2370	2150	1900	1680	1460	1240	1100	910	720	550	410					
					30B	1	34	1850	1590	1440	1280	1130	980	830	740	610	480	370	280					
					30B	2-6 CL	34	2450	2110	1910	1690	1490	1300	1100	980	810	640	490	370					
					30B	3-6 CL	34	2790	2400	2180	1930	1700	1480	1260	1120	920	730	560	420					
					36B	1	40	2040	1750	1590	1410	1240	1080	920	820	670	530	410	310					
					36B	2-6 CL	40	2700	2320	2110	1860	1650	1430	1220	1080	890	700	540	410					
					36B	3-6 CL	40	3080	2650	2400	2130	1880	1630	1390	1230	1020	800	620	460					
					1-1/4"	S144	4-1/4" SQ.	40	.032	24B	1	28	1670	1440	1300	1150	1020	890	750	670	550	430	330	250
										24B	2-6 CL	28	2305	1980	1800	1590	1410	1220	1040	920	760	600	460	350
										24B	3-6 CL	28	2600	2240	2030	1790	1590	1380	1170	1040	860	680	520	390
30B	1	34	1860	1600						1450	1280	1130	990	840	740	610	480	370	280					
30B	2-6 CL	34	2460	2120						1920	1700	1500	1300	1110	980	810	640	490	370					
30B	3-6 CL	34	2780	2390						2170	1920	1700	1470	1250	1110	920	720	560	420					
36B	1	40	2050	1760						1600	1410	1250	1090	920	820	680	530	410	310					
36B	2-6 CL	40	2710	2330						2110	1870	1650	1440	1220	1080	890	700	540	410					
36B	3-6 CL	40	3060	2630						2390	2110	1870	1620	1380	1220	1010	800	610	460					
1-1/4"	S145	4-1/4" SQ.	50	.032						24B	1	28	1210	1040	940	830	740	640	540	480	400	310	240	180
										24B	2-6 CL	28	1920	1650	1500	1320	1170	1020	860	770	630	500	380	290
										24B	3-6 CL	28	2210	1900	1720	1520	1350	1170	990	880	730	570	440	330
					30B	1	34	1350	1160	1050	930	820	720	610	540	450	350	270	200					
					30B	2-6 CL	34	1790	1540	1400	1240	1090	950	810	720	590	470	360	270					
					30B	3-6 CL	34	2060	1770	1610	1420	1260	1090	930	820	680	540	410	310					
					36B	1	40	1490	1280	1160	1030	910	790	670	600	490	390	300	220					
					36B	2-6 CL	40	1970	1690	1540	1360	1200	1040	890	790	650	510	390	300					
					36B	3-6 CL	40	2270	1950	1770	1570	1380	1200	1020	910	750	590	450	340					
					2"	S242	4-1/4" SQ.	25	.032	24B	1	28	1430	1230	1120	990	870	760	640	570	470	370	290	210
										24B	2-6 CL	28	2160	1860	1680	1490	1320	1140	970	860	710	560	430	320
										24B	3-6 CL	28	2480	2130	1930	1710	1510	1310	1120	990	820	640	500	370
30B	1	34	1590	1370						1240	1100	970	840	720	640	520	410	320	240					
30B	2-6 CL	34	2110	1810						1650	1460	1290	1120	950	840	700	550	420	320					
30B	3-6 CL	34	2430	2090						1900	1680	1480	1290	1090	970	800	630	490	360					
36B	1	40	1750	1510						1370	1210	1070	930	790	700	580	460	350	260					
36B	2-6 CL	40	2320	2000						1810	1600	1420	1230	1040	930	770	600	460	350					
36B	3-6 CL	40	2670	2300						2080	1840	1630	1420	1200	1070	880	690	530	400					

# JVB-RD Style "RD" Flat Top Enclosures

ELEMENT TUBE SIZE	FIN SIZE HEIGHT x WIDTH	CRADLE NUMBER	A
3/4" COPPER	3-5/8 x 4-1/4	2	7"
3/4" COPPER	4-1/4 x 4-1/4	3A	7-3/8"
1" COPPER	3-5/8 x 4-1/4	2	7-3/16"
1" COPPER	4-1/4 x 4-1/4	2	7-3/16"
1-1/4" COPPER	3-5/8 x 4-1/4	2	7-5/16"
1-1/4" COPPER	4-1/4 x 4-1/4	2	7-5/16"
1" STEEL	4-1/4 x 4-1/4	2	7-5/16"
1-1/4" STEEL	4-1/4 x 4-1/4	2	7-1/2"
2" STEEL	4-1/4 x 4-1/4	1	7-1/4"



COPPER/ALUMINUM ELEMENT RATINGS

ALL RATINGS ARE BASED ON 3 FPS WATER VELOCITY, 65°F AT

STYLE LT Series "RD"

TUBE SIZE	CATALOG DESIGNATION	FIN SIZE HEIGHT X WIDTH	FIN PER FT.	FIN THICKNESS IN INCHES	ENCL DEPTH AND HEIGHT IN INCHES	TIERS AND CENTERS IN INCHES	MTG. HEIGHT IN INCHES	STEAM 215°F FACTOR	HOT WATER (AVG.)															
									200°F	190°F	180°F	170°F	160°F	150°F	140°F	130°F	120°F	110°F	100°F					
									CORRECTION FACTORS FOR AVERAGE WATER TEMPERATURES															
													1.00	0.86	0.78	0.69	0.61	0.53	0.45	.40	.33	.26	.20	.15
3/4"	C3/4-433	3-5/8" x 4-1/4"	32	.020	24B	1	28	1565	1350	1220	1080	950	830	700	630	520	410	310	230					
					24B	2-6 CL	28	2215	1900	1730	1530	1350	1170	1000	890	730	580	440	330					
					24B	3-6 CL	28	2550	2190	1990	1760	1560	1350	1150	1020	840	660	510	380					
					30B	1	34	1740	1500	1360	1200	1060	920	780	570	450	350	260						
					30B	2-6 CL	34	2300	1980	1790	1590	1400	1220	1040	920	760	600	460	350					
					30B	3-6 CL	34	2650	2280	2070	1830	1620	1400	1190	1060	870	690	530	400					
	3/4"	C3/4-434	3-5/8" x 4-1/4"	40	.020	24B	1	28	1870	1610	1460	1290	1140	990	840	750	620	490	370	280				
						24B	2-6 CL	28	2590	2230	2020	1790	1580	1370	1170	1040	850	670	520	390				
						24B	3-6 CL	28	2950	2540	2300	2040	1800	1560	1330	1180	970	770	590	440				
						30B	1	34	2080	1790	1620	1440	1270	1100	940	830	690	540	420	310				
						30B	2-6 CL	34	2750	2370	2150	1900	1680	1460	1240	1100	910	720	550	410				
						30B	3-6 CL	34	3130	2690	2440	2160	1910	1660	1410	1250	1030	810	630	470				
3/4"	C3/4-435	3-5/8" x 4-1/4"	50	.020	24B	1	28	2210	1900	1720	1520	1350	1170	990	880	730	570	440	330					
					24B	2-6 CL	28	2820	2430	2200	1950	1720	1490	1270	1130	930	730	560	420					
					24B	3-6 CL	28	3190	2740	2490	2200	1950	1690	1440	1280	1050	830	640	480					
					30B	1	34	2460	2120	1920	1700	1500	1300	1110	980	810	640	490	370					
					30B	2-6 CL	34	3260	2800	2540	2250	1990	1730	1470	1300	1080	850	650	490					
					30B	3-6 CL	34	3680	3160	2870	2540	2240	1950	1660	1470	1210	960	740	550					
	1"	C433	3-5/8" x 4-1/4"	32	.020	24B	1	28	1650	1420	1290	1140	1010	870	740	660	540	430	330	250				
						24B	2-6 CL	28	2560	2200	2000	1770	1560	1360	1150	1020	840	670	510	380				
						24B	3-6 CL	28	2940	2530	2290	2030	1790	1560	1320	1180	970	760	590	440				
						30B	1	34	1830	1570	1430	1260	1120	970	820	730	600	480	370	270				
						30B	2-6 CL	34	2420	2080	1890	1670	1480	1280	1090	970	800	630	480	360				
						30B	3-6 CL	34	2780	2390	2170	1920	1700	1470	1250	1110	920	720	560	420				
1"		C434	3-5/8" x 4-1/4"	40	.020	24B	1	28	2010	1730	1570	1390	1230	1070	900	800	660	520	400	300				
						24B	2-6 CL	28	2660	2290	2070	1840	1620	1410	1200	1060	880	690	530	400				
						24B	3-6 CL	28	3060	2630	2390	2110	1870	1620	1380	1220	1010	800	610	460				
						30B	1	34	2170	1870	1690	1500	1320	1150	980	870	720	560	430	330				
						30B	2-6 CL	34	2870	2470	2240	1980	1750	1520	1290	1150	950	750	570	430				
						30B	3-6 CL	34	3270	2810	2550	2260	1990	1730	1470	1310	1080	850	650	490				
	1"	C435	3-5/8" x 4-1/4"	50	.020	24B	1	28	2330	2000	1820	1610	1420	1230	1050	930	770	610	470	350				
						24B	2-6 CL	28	2970	2550	2320	2050	1810	1570	1340	1190	980	770	590	450				
						24B	3-6 CL	28	3360	2890	2620	2320	2050	1780	1510	1340	1110	870	670	500				
						30B	1	34	2590	2230	2020	1790	1580	1370	1170	1040	850	670	520	390				
						30B	2-6 CL	34	3430	2950	2680	2370	2090	1820	1540	1370	1130	890	690	510				
						30B	3-6 CL	34	3880	3340	3030	2680	2370	2060	1750	1550	1280	1010	780	580				
1-1/4"		C1433	3-5/8" x 4-1/4"	32	.020	24B	1	28	1630	1400	1270	1120	990	860	730	650	540	420	330	240				
						24B	2-6 CL	28	2580	2220	2010	1780	1570	1370	1160	1030	850	670	520	390				
						24B	3-6 CL	28	2970	2550	2320	2050	1810	1570	1340	1190	980	770	590	450				
						30B	1	34	1810	1560	1410	1250	1100	960	810	720	600	470	360	270				
						30B	2-6 CL	34	2400	2060	1870	1660	1460	1270	1080	960	790	620	480	360				
						30B	3-6 CL	34	2760	2370	2150	1900	1680	1460	1240	1100	910	720	550	410				
	1-1/4"	C1434	3-5/8" x 4-1/4"	40	.020	24B	1	28	1920	1650	1500	1320	1170	1020	860	770	630	500	380	290				
						24B	2-6 CL	28	2750	2370	2150	1900	1680	1460	1240	1100	910	720	550	410				
						24B	3-6 CL	28	3130	2690	2440	2160	1910	1660	1410	1250	1030	810	630	470				
						30B	1	34	2140	1840	1670	1480	1310	1130	960	860	710	560	430	320				
						30B	2-6 CL	34	2830	2430	2210	1950	1730	1500	1270	1130	930	740	570	420				
						30B	3-6 CL	34	3230	2780	2520	2230	1970	1710	1450	1290	1070	840	650	480				
1-1/4"		C1435	3-5/8" x 4-1/4"	50	.020	24B	1	28	2380	2050	1860	1640	1450	1260	1070	950	790	620	480	360				
						24B	2-6 CL	28	3000	2580	2340	2070	1830	1590	1350	1200	990	780	600	450				
						24B	3-6 CL	28	3390	2920	2640	2340	2070	1800	1530	1360	1120	880	680	510				
						30B	1	34	2650	2280	2070	1830	1620	1400	1190	1060	870	690	530	400				
						30B	2-6 CL	34	3510	3020	2740	2420	2140	1860	1580	1400	1160	910	700	530				
						30B	3-6 CL	34	3970	3410	3100	2740	2420	2100	1790	1590	1310	1030	790	600				



# JVB-RD Style "RD" Flat Top Enclosures

## COPPER/ALUMINUM ELEMENT RATINGS

ALL RATINGS ARE BASED ON 3 FPS WATER VELOCITY, 65°F AT

### STYLE LT Series "RD"

TUBE SIZE	CATALOG DESIGNATION	FIN SIZE HEIGHT X WIDTH	FIN PER FT.	FIN THICKNESS IN INCHES	ENCL DEPTH AND HEIGHT IN INCHES	TIERS AND CENTERS IN INCHES	MTG. HEIGHT IN INCHES	HOT WATER (AVG.)																						
								STEAM		200°F	190°F	180°F	170°F	160°F	150°F	140°F	130°F	120°F	110°F	100°F										
								215°F	FACTOR	0.86	0.78	0.69	0.61	0.53	0.45	.40	.33	.26	.20	.15										
								CORRECTION FACTORS FOR AVERAGE WATER TEMPERATURES																						
3/4"	C3/4-43	4-1/4" SQ.	32	.020	24B	1	28	1685	1450	1310	1160	1030	890	760	670	560	440	340	250											
								24B	2-6 CL	28	2435	2090	1900	1680	1490	1290	1100	970	800	630	490	370								
								24B	3-6 CL	28	2800	2410	2180	1930	1710	1480	1260	1120	920	730	560	420								
								30B	1	34	1870	1610	1460	1290	1140	990	840	750	620	490	370	280								
								30B	2-6 CL	34	2480	2130	1930	1710	1510	1310	1120	990	820	640	500	370								
								30B	3-6 CL	34	2850	2450	2220	1970	1740	1510	1280	1140	940	740	570	430								
								36B	1	40	2060	1770	1610	1420	1260	1090	930	820	680	540	410	310								
								36B	2-6 CL	40	2730	2350	2130	1880	1670	1450	1230	1090	900	710	550	410								
								36B	3-6 CL	40	3140	2700	2450	2170	1920	1660	1410	1260	1040	820	630	470								
								24B	1	28	2350	2020	1830	1620	1430	1250	1060	940	780	610	470	350								
								3/4"	C3/4-44	4-1/4" SQ.	40	.020	24B	2-6 CL	28	3270	2810	2550	2260	1990	1730	1470	1310	1080	850	650	490			
																24B	3-6 CL	28	3730	3210	2910	2570	2280	1980	1680	1490	1230	970	750	560
30B	1	34	2610	2240	2040	1800	1590									1380	1170	1040	860	680	520	390								
30B	2-6 CL	34	3460	2980	2700	2390	2110									1830	1560	1380	1140	900	690	520								
30B	3-6 CL	34	3940	3390	3070	2720	2400									2090	1770	1580	1300	1020	790	590								
36B	1	40	2870	2470	2240	1980	1750									1520	1290	1150	950	750	570	430								
36B	2-6 CL	40	3800	3270	2960	2620	2320									2010	1710	1520	1250	990	760	570								
36B	3-6 CL	40	4330	3720	3380	2990	2640									2290	1950	1730	1430	1130	870	650								
24B	1	28	2550	2190	1990	1760	1560									1350	1150	1020	840	660	510	380								
3/4"	C3/4-45	4-1/4" SQ.	50	.020	24B	2-6 CL	28									3380	2910	2640	2330	2060	1790	1520	1350	1120	880	680	510			
																24B	3-6 CL	28	3820	3290	2980	2640	2330	2020	1720	1530	1260	990	760	570
																30B	1	34	2840	2440	2220	1960	1730	1510	1280	1140	940	740	570	430
								30B	2-6 CL	34	3760	3230	2930	2590	2290	1990	1690	1500	1240	980	750	560								
								30B	3-6 CL	34	4250	3660	3320	2930	2590	2250	1910	1700	1400	1110	850	640								
								36B	1	40	3130	2690	2440	2160	1910	1660	1410	1250	1030	810	630	470								
								36B	2-6 CL	40	4140	3560	3230	2860	2530	2190	1860	1660	1370	1080	830	620								
								36B	3-6 CL	40	4680	4020	3650	3230	2850	2480	2110	1870	1540	1220	940	700								
								24B	1	28	1810	1560	1410	1250	1100	960	810	720	600	470	360	270								
								1"	C43	4-1/4" SQ.	32	.020	24B	2-6 CL	28	2810	2420	2190	1940	1710	1490	1260	1120	930	730	560	420			
																24B	3-6 CL	28	3230	2780	2520	2230	1970	1710	1450	1290	1070	840	650	480
																30B	1	34	2010	1730	1570	1390	1230	1070	900	800	660	520	400	300
30B	2-6 CL	34	2660	2290	2070	1840	1620									1410	1200	1060	880	690	530	400								
30B	3-6 CL	34	3060	2630	2390	2110	1870									1620	1380	1220	1010	800	610	460								
36B	1	40	2210	1900	1720	1520	1350									1170	990	880	730	570	440	330								
36B	2-6 CL	40	2930	2520	2290	2020	1790									1550	1320	1170	970	760	590	440								
36B	3-6 CL	40	3370	2900	2630	2330	2060									1790	1520	1350	1110	880	670	510								
24B	1	28	2140	1840	1670	1480	1310									1130	960	860	710	560	430	320								
1"	C44	4-1/4" SQ.	40	.020	24B	2-6 CL	28									2990	2570	2330	2060	1820	1580	1350	1200	990	780	600	450			
																24B	3-6 CL	28	3410	2930	2660	2350	2080	1810	1530	1360	1130	890	680	510
																30B	1	34	2380	2050	1860	1640	1450	1260	1070	950	790	620	480	360
								30B	2-6 CL	34	3150	2710	2460	2170	1920	1670	1420	1260	1040	820	630	470								
								30B	3-6 CL	34	3590	3090	2800	2480	2190	1900	1620	1440	1180	930	720	540								
								36B	1	40	2620	2250	2040	1810	1600	1390	1180	1050	860	680	520	390								
								36B	2-6 CL	40	3470	2980	2710	2390	2120	1840	1560	1390	1150	900	690	520								
								36B	3-6 CL	40	3960	3410	3090	2730	2420	2100	1780	1580	1310	1030	790	590								
								24B	1	28	2550	2190	1990	1760	1560	1350	1150	1020	840	660	510	380								
								1"	C45	4-1/4" SQ.	50	.020	24B	2-6 CL	28	3250	2800	2540	2240	1980	1720	1460	1300	1070	850	650	490			
																24B	3-6 CL	28	3670	3160	2860	2530	2240	1950	1650	1470	1210	950	730	550
																30B	1	34	2840	2440	2220	1960	1730	1510	1280	1140	940	740	570	430
30B	2-6 CL	34	3760	3230	2930	2590	2290									1990	1690	1500	1240	980	750	560								
30B	3-6 CL	34	4250	3660	3320	2930	2590									2250	1910	1700	1400	1110	850	640								
36B	1	40	3130	2690	2440	2160	1910									1660	1410	1250	1030	810	630	470								
36B	2-6 CL	40	4140	3560	3230	2860	2530									2190	1860	1660	1370	1080	830	620								
36B	3-6 CL	40	4680	4020	3650	3230	2850									2480	2110	1870	1540	1220	940	700								
24B	1	28	1780	1530	1390	1230	1090									940	800	710	590	460	360	270								
1-1/4"	C143	4-1/4" SQ.	32	.020	24B	2-6 CL	28									2720	2340	2120	1880	1660	1440	1220	1090	900	710	540	410			
																24B	3-6 CL	28	3130	2690	2440	2160	1910	1660	1410	1250	1030	810	630	470
																30B	1	34	1980	1700	1540	1370	1210	1050	890	790	650	510	400	300
								30B	2-6 CL	34	2620	2250	2040	1810	1600	1390	1180	1050	860	680	520	390								
								30B	3-6 CL	34	3010	2590	2350	2080	1840	1600	1350	1200	990	780	600	450								
								36B	1	40	2180	1870	1700	1500	1330	1160	980	870	720	570	440	330								
								36B	2-6 CL	40	2890	2490	2250	1990	1760	1530	1300	1160	950	750	580	430								
								36B	3-6 CL	40	3320	2860	2590	2290	2030	1760	1490	1330	1100	860	660	500								
								24B	1	28	2160	1860	1680	1490	1320	1140	970	860	710	560	430	320								
								1-1/4"	C144	4-1/4" SQ.	40	.020	24B	2-6 CL	28	2940	2530	2290	2030	1790	1560	1320	1180	970	760	590	440			
																24B	3-6 CL	28	3350	2880	2610	2310	2040	1780	1510	1340	1110	870	670	500
																30B	1	34	2400	2060	1870	1660	1460	1270	1080	960	790	620	480	360
30B	2-6 CL	34	3180	2730	2480	2190	1940									1690	1430	1270	1050	830	640	480								
30B	3-6 CL	34	3630	3120	2830	2500	2210									1920	1630	1450	1200	940	730	540								
36B	1	40	2640	2270	2060	1820	1610									1400	1190	1060	870	690	530	400								
36B	2-6 CL	40	3500	3010	2730	2420	2140									1860	1580	1400	1160	910	700	530								
36B	3-6 CL	40	3990	3430	3110	2750	2430									2110	1800	1600	1320	1040	800	600								
24B	1	28	2380	2050	1860	1640	1450									1260	1070	950	790	620	480	360								
1-1/4"	C145	4-1/4" SQ.	50	.020	24B	2-6 CL	28									3060	2630	2390	2110	1870</										

### STYLE LT Series "RD"

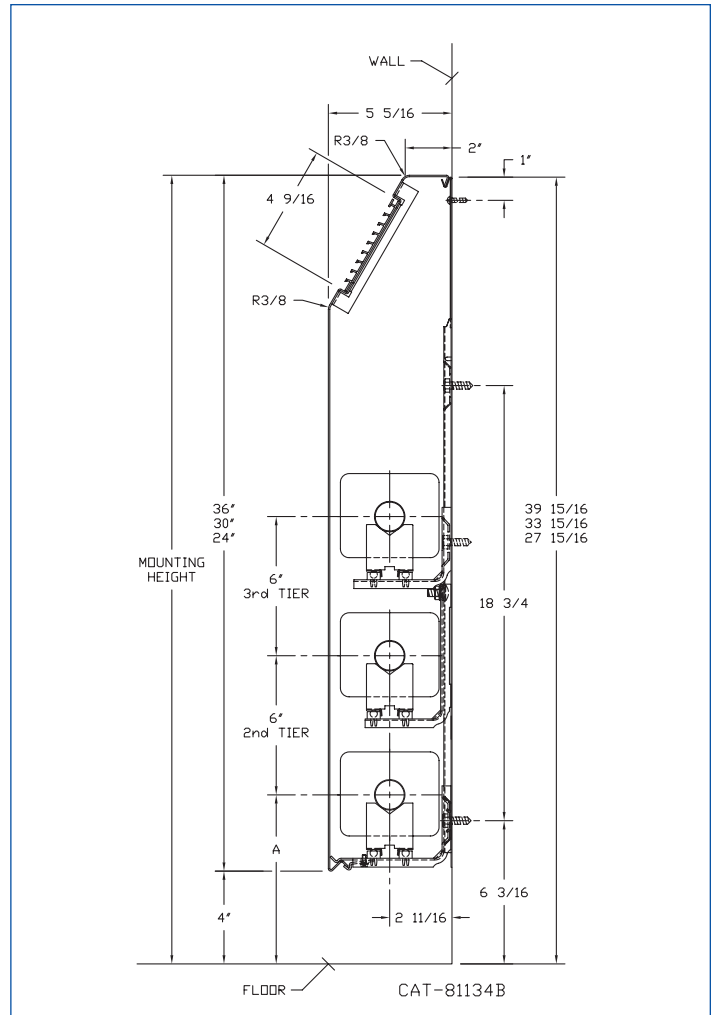
### STEEL ELEMENT RATINGS

ALL RATINGS ARE BASED ON 3 FPS WATER VELOCITY, 65°EAT

TUBE SIZE	CATALOG DESIGNATION	FIN SIZE HEIGHT X WIDTH	FIN PER FT.	FIN THICKNESS IN INCHES	ENCL DEPTH AND HEIGHT IN INCHES	TIERS AND CENTERS IN INCHES	MTG. HEIGHT IN INCHES	STEAM 215°F FACTOR	HOT WATER (AVG.)										
									200°F	190°F	180°F	170°F	160°F	150°F	140°F	130°F	120°F	110°F	100°F
									CORRECTION FACTORS FOR AVERAGE WATER TEMPERATURES										
								1.00	0.86	0.78	0.69	0.61	0.53	0.45	.40	.33	.26	.20	.15
1"	S43	4-1/4" SQ.	32	.032	24B	1	28	1520	1310	1190	1050	930	810	680	610	500	400	300	230
					24B	2-6 CL	28	2255	1940	1760	1560	1380	1200	1010	900	740	590	450	340
					24B	3-6 CL	28	2590	2230	2020	1790	1580	1370	1170	1040	850	670	520	390
					30B	1	34	1690	1450	1320	1170	1030	900	760	680	560	440	340	250
					30B	2-6 CL	34	2240	1930	1750	1550	1370	1190	1010	900	740	580	450	340
					30B	3-6 CL	34	2580	2220	2010	1780	1570	1370	1160	1030	850	670	520	390
					36B	1	40	1860	1600	1450	1280	1130	990	840	740	610	480	370	280
					36B	2-6 CL	40	2460	2120	1920	1700	1500	1300	1110	980	810	640	490	370
					36B	3-6 CL	40	2830	2430	2210	1950	1730	1500	1270	1130	930	740	570	420
					24B	1	28	1765	1520	1380	1220	1080	940	790	710	580	460	350	260
					24B	2-6 CL	28	2470	2120	1930	1700	1510	1310	1110	990	820	640	490	370
					24B	3-6 CL	28	2820	2430	2200	1950	1720	1490	1270	1130	930	730	560	420
1"	S44	4-1/4" SQ.	40	.032	24B	1	34	1960	1690	1530	1350	1200	1040	880	780	650	510	390	290
					30B	2-6 CL	34	2600	2240	2030	1790	1590	1380	1170	1040	860	680	520	390
					30B	3-6 CL	34	2960	2550	2310	2040	1810	1570	1330	1180	980	770	590	440
					36B	1	40	2160	1860	1680	1490	1320	1140	970	860	710	560	430	320
					36B	2-6 CL	40	2860	2460	2230	1970	1740	1520	1290	1140	940	740	570	430
					36B	3-6 CL	40	3260	2800	2540	2250	1990	1730	1470	1300	1080	850	650	490
					24B	1	28	1850	1590	1440	1280	1130	980	830	740	610	480	370	280
					24B	2-6 CL	28	2535	2180	1980	1750	1550	1340	1140	1010	840	660	510	380
					24B	3-6 CL	28	2860	2460	2230	1970	1740	1520	1290	1140	940	740	570	430
					30B	1	34	2060	1770	1610	1420	1260	1090	930	820	680	540	410	310
					30B	2-6 CL	34	2730	2350	2130	1880	1670	1450	1230	1090	900	710	550	410
					30B	3-6 CL	34	3080	2650	2400	2130	1880	1630	1390	1230	1020	800	620	460
1"	S45	4-1/4" SQ.	50	.032	24B	1	40	2270	1950	1770	1570	1380	1200	1020	910	750	590	450	340
					36B	2-6 CL	40	3010	2590	2350	2080	1840	1600	1350	1200	990	780	600	450
					36B	3-6 CL	40	3400	2920	2650	2350	2070	1800	1530	1360	1120	880	680	510
					24B	1	28	1320	1140	1030	910	810	700	590	530	440	340	260	200
					24B	2-6 CL	28	2120	1820	1650	1460	1290	1120	950	850	700	550	420	320
					24B	3-6 CL	28	2440	2100	1900	1680	1490	1290	1100	980	810	630	490	370
					30B	1	34	1470	1260	1150	1010	900	780	660	590	490	380	290	220
					30B	2-6 CL	34	1950	1680	1520	1350	1190	1030	880	780	640	510	390	290
					30B	3-6 CL	34	2240	1930	1750	1550	1370	1190	1010	900	740	580	450	340
					36B	1	40	1620	1390	1260	1120	990	860	730	650	530	420	320	240
					36B	2-6 CL	40	2140	1840	1670	1480	1310	1130	960	860	710	560	430	320
					36B	3-6 CL	40	2460	2120	1920	1700	1500	1300	1110	980	810	640	490	370
1-1/4"	S143	4-1/4" SQ.	32	.032	24B	1	28	1680	1440	1310	1160	1020	890	760	670	550	440	340	250
					24B	2-6 CL	28	2510	2160	1960	1730	1530	1330	1130	1000	830	650	500	380
					24B	3-6 CL	28	2860	2460	2230	1970	1740	1520	1290	1140	940	740	570	430
					30B	1	34	1870	1610	1460	1290	1140	990	840	750	620	490	370	280
					30B	2-6 CL	34	2480	2130	1930	1710	1510	1310	1120	990	820	640	500	370
					30B	3-6 CL	34	2830	2430	2210	1950	1730	1500	1270	1130	930	740	570	420
					36B	1	40	2060	1770	1610	1420	1260	1090	930	820	680	540	410	310
					36B	2-6 CL	40	2730	2350	2130	1880	1670	1450	1230	1090	900	710	550	410
					36B	3-6 CL	40	3110	2670	2430	2150	1900	1650	1400	1240	1030	810	620	470
					24B	1	28	1835	1580	1430	1270	1120	970	830	730	610	480	370	280
					24B	2-6 CL	28	2485	2140	1940	1710	1520	1320	1120	990	820	650	500	370
					24B	3-6 CL	28	2810	2420	2190	1940	1710	1490	1260	1120	930	730	560	420
1-1/4"	S145	4-1/4" SQ.	50	.032	30B	1	34	2040	1750	1590	1410	1240	1080	920	820	670	530	410	310
					30B	2-6 CL	34	2700	2320	2110	1860	1650	1430	1220	1080	890	700	540	410
					30B	3-6 CL	34	3050	2620	2380	2100	1860	1620	1370	1220	1010	790	610	460
					36B	1	40	2250	1940	1760	1550	1370	1190	1010	900	740	590	450	340
					36B	2-6 CL	40	2980	2560	2320	2060	1820	1580	1340	1190	980	770	600	450
					36B	3-6 CL	40	3370	2900	2630	2330	2060	1790	1520	1350	1110	880	670	510
					24B	1	28	1250	1080	980	860	760	660	560	500	410	330	250	190
					24B	2-6 CL	28	2000	1720	1560	1380	1220	1060	900	800	660	520	400	300
					24B	3-6 CL	28	2300	1980	1790	1590	1400	1220	1040	920	760	600	460	350
					30B	1	34	1390	1200	1080	960	850	740	630	560	460	360	280	210
					30B	2-6 CL	34	1840	1580	1440	1270	1120	980	830	740	610	480	370	280
					30B	3-6 CL	34	2120	1820	1650	1460	1290	1120	950	850	700	550	420	320
36B	1	40	1530	1320	1190	1060	930	810	690	610	500	400	310	230					
36B	2-6 CL	40	2030	1750	1580	1400	1240	1080	910	810	670	530	410	300					
36B	3-6 CL	40	2330	2000	1820	1610	1420	1230	1050	930	770	610	470	350					
2"	S242	4-1/4" SQ.	25	.032	24B	1	28	1480	1270	1150	1020	900	780	670	590	490	380	300	220
					24B	2-6 CL	28	2220	1910	1730	1530	1350	1180	1000	890	730	580	440	330
					24B	3-6 CL	28	2550	2190	1990	1760	1560	1350	1150	1020	840	660	510	380
					30B	1	34	1650	1420	1290	1140	1010	870	740	660	540	430	330	250
					30B	2-6 CL	34	2180	1870	1700	1500	1330	1160	980	870	720	570	440	330
					30B	3-6 CL	34	2510	2160	1960	1730	1530	1330	1130	1000	830	650	500	380
					36B	1	40	1820	1570	1420	1260	1110	960	820	730	600	470	360	270
					36B	2-6 CL	40	2410	2070	1880	1660	1470	1280	1080	960	800	630	480	360
					36B	3-6 CL	40	2770	2380	2160	1910	1690	1470	1250	1110	910	720	550	420

# JVB-ARS Slope Top Aluminum Grille

ELEMENT TUBE SIZE	FIN SIZE HEIGHT x WIDTH	CRADLE NUMBER	A
3/4" COPPER	3-5/8 x 4-1/4	2	7"
3/4" COPPER	4-1/4 x 4-1/4	3A	7-3/8"
1" COPPER	3-5/8 x 4-1/4	2	7-3/16"
1" COPPER	4-1/4 x 4-1/4	2	7-3/16"
1-1/4" COPPER	3-5/8 x 4-1/4	2	7-5/16"
1-1/4" COPPER	4-1/4 x 4-1/4	2	7-5/16"
1" STEEL	4-1/4 x 4-1/4	2	7-5/16"
1-1/4" STEEL	4-1/4 x 4-1/4	2	7-1/2"
2" STEEL	4-1/4 x 4-1/4	1	7-1/4"





**STYLE LT Series "ARS"**

**COPPER/ALUMINUM ELEMENT RATINGS**

ALL RATINGS ARE BASED ON 3 FPS WATER VELOCITY, 65°EAT

TUBE SIZE	CATALOG DESIGNATION	FIN SIZE HEIGHT X WIDTH	FIN PER FT.	FIN THICKNESS IN INCHES	ENCL DEPTH AND HEIGHT IN INCHES	TIERS AND CENTERS IN INCHES	MTG. HEIGHT IN INCHES	STEAM 215°F FACTOR	HOT WATER (AVG.)													
									200°F	190°F	180°F	170°F	160°F	150°F	140°F	130°F	120°F	110°F	100°F			
									CORRECTION FACTORS FOR AVERAGE WATER TEMPERATURES													
											1.00	0.86	0.78	0.69	0.61	0.53	0.45	.40	.33	.26	.20	.15
3/4"	C3/4-433	3-5/8" x 4-1/4"	32	.020	24B	1	28	1670	1440	1300	1150	1020	890	750	670	550	430	330	250			
					24B	2-6 CL	28	2570	2210	2000	1770	1570	1360	1160	1030	850	670	510	390			
					24B	3-6 CL	28	2960	2550	2310	2040	1810	1570	1330	1180	980	770	590	440			
					30B	1	34	1860	1600	1450	1280	1130	990	840	740	610	480	370	280			
					30B	2-6 CL	34	2460	2120	1920	1700	1500	1300	1110	980	810	640	490	370			
					30B	3-6 CL	34	2830	2430	2210	1950	1730	1500	1270	1130	930	740	570	420			
					36B	1	40	2050	1760	1600	1410	1250	1090	920	820	680	530	410	310			
					36B	2-6 CL	40	2710	2330	2110	1870	1650	1440	1220	1080	890	700	540	410			
					36B	3-6 CL	40	3120	2680	2430	2150	1900	1650	1400	1250	1030	810	620	470			
					24B	1	28	1910	1640	1490	1320	1170	1010	860	760	630	500	380	290			
					24B	2-6 CL	28	2700	2320	2110	1860	1650	1430	1220	1080	890	700	540	410			
					24B	3-6 CL	28	3080	2650	2400	2130	1880	1630	1390	1230	1020	800	620	460			
30B	1	34	2120	1820	1650	1460	1290	1120	950	850	700	550	420	320								
30B	2-6 CL	34	2810	2420	2190	1940	1710	1490	1260	1120	930	730	560	420								
30B	3-6 CL	34	3200	2750	2500	2210	1950	1700	1440	1280	1060	830	640	480								
36B	1	40	2330	2000	1820	1610	1420	1230	1050	930	770	610	470	350								
36B	2-6 CL	40	3080	2650	2400	2130	1880	1630	1390	1230	1020	800	620	460								
36B	3-6 CL	40	3510	3020	2740	2420	2140	1860	1580	1400	1160	910	700	530								
24B	1	28	2260	1940	1760	1560	1380	1200	1020	900	750	590	450	340								
24B	2-6 CL	28	3110	2670	2430	2150	1900	1650	1400	1240	1030	810	620	470								
24B	3-6 CL	28	3510	3020	2740	2420	2140	1860	1580	1400	1160	910	700	530								
30B	1	34	2510	2160	1960	1730	1530	1330	1130	1000	830	650	500	380								
30B	2-6 CL	34	3320	2860	2590	2290	2030	1760	1490	1330	1100	860	660	500								
30B	3-6 CL	34	3750	3230	2930	2590	2290	1990	1690	1500	1240	980	750	560								
36B	1	40	2760	2370	2150	1900	1680	1460	1240	1100	910	720	550	410								
36B	2-6 CL	40	3650	3140	2850	2520	2230	1930	1640	1460	1200	950	730	550								
36B	3-6 CL	40	4120	3540	3210	2840	2510	2180	1850	1650	1360	1070	820	620								
24B	1	28	1690	1450	1320	1170	1030	900	760	680	560	440	340	250								
24B	2-6 CL	28	2590	2230	2020	1790	1580	1370	1170	1040	850	670	520	390								
24B	3-6 CL	28	2980	2560	2320	2060	1820	1580	1340	1190	980	770	600	450								
30B	1	34	1880	1620	1470	1300	1150	1000	850	750	620	490	380	280								
30B	2-6 CL	34	2490	2140	1940	1720	1520	1320	1120	1000	820	650	500	370								
30B	3-6 CL	34	2860	2460	2230	1970	1740	1520	1290	1140	940	740	570	430								
36B	1	40	2070	1780	1610	1430	1260	1100	930	830	680	540	410	310								
36B	2-6 CL	40	2740	2360	2140	1890	1670	1450	1230	1100	900	710	550	410								
36B	3-6 CL	40	3150	2710	2460	2170	1920	1670	1420	1260	1040	820	630	470								
24B	1	28	1990	1710	1550	1370	1210	1050	900	800	660	520	400	300								
24B	2-6 CL	28	2770	2380	2160	1910	1690	1470	1250	1110	910	720	550	420								
24B	3-6 CL	28	3160	2720	2460	2180	1930	1670	1420	1260	1040	820	630	470								
30B	1	34	2210	1900	1720	1520	1350	1170	990	880	730	570	440	330								
30B	2-6 CL	34	2930	2520	2290	2020	1790	1550	1320	1170	970	760	590	440								
30B	3-6 CL	34	3340	2870	2610	2300	2040	1770	1500	1340	1100	870	670	500								
36B	1	40	2430	2090	1900	1680	1480	1290	1090	970	800	630	490	360								
36B	2-6 CL	40	3220	2770	2510	2220	1960	1710	1450	1290	1060	840	640	480								
36B	3-6 CL	40	3670	3160	2860	2530	2240	1950	1650	1470	1210	950	730	550								
24B	1	28	2360	2030	1840	1630	1440	1250	1060	940	780	610	470	350								
24B	2-6 CL	28	2910	2500	2270	2010	1780	1540	1310	1160	960	760	580	440								
24B	3-6 CL	28	3290	2830	2570	2270	2010	1740	1480	1320	1090	860	660	490								
30B	1	34	2620	2250	2040	1810	1600	1390	1180	1050	860	680	520	390								
30B	2-6 CL	34	3470	2980	2710	2390	2120	1840	1560	1390	1150	900	690	520								
30B	3-6 CL	34	3920	3370	3060	2700	2390	2080	1760	1570	1290	1020	780	590								
36B	1	40	2880	2480	2250	1990	1760	1530	1300	1150	950	750	580	430								
36B	2-6 CL	40	3810	3280	2970	2630	2320	2020	1710	1520	1260	990	760	570								
36B	3-6 CL	40	4310	3710	3360	2970	2630	2280	1940	1720	1420	1120	860	650								
24B	1	28	1590	1370	1240	1100	970	840	720	640	520	410	320	240								
24B	2-6 CL	28	2450	2110	1910	1690	1490	1300	1100	980	810	640	490	370								
24B	3-6 CL	28	2820	2430	2200	1950	1720	1490	1270	1130	930	730	560	420								
30B	1	34	1770	1520	1380	1220	1080	940	800	710	580	460	350	270								
30B	2-6 CL	34	2340	2010	1830	1610	1430	1240	1050	940	770	610	470	350								
30B	3-6 CL	34	2690	2310	2100	1860	1640	1430	1210	1080	890	700	540	400								
36B	1	40	1950	1680	1520	1350	1190	1030	880	780	640	510	390	290								
36B	2-6 CL	40	2580	2220	2010	1780	1570	1370	1160	1030	850	670	520	390								
36B	3-6 CL	40	2970	2550	2320	2050	1810	1570	1340	1190	980	770	590	450								
24B	1	28	1950	1680	1520	1350	1190	1030	880	780	640	510	390	290								
24B	2-6 CL	28	2710	2330	2110	1870	1650	1440	1220	1080	890	700	540	410								
24B	3-6 CL	28	3090	2660	2410	2130	1880	1640	1390	1240	1020	800	620	460								
30B	1	34	2170	1870	1690	1500	1320	1150	980	870	720	560	430	330								
30B	2-6 CL	34	2870	2470	2240	1980	1750	1520	1290	1150	950	750	570	430								
30B	3-6 CL	34	3270	2810	2550	2260	1990	1730	1470	1310	1080	850	650	490								
36B	1	40	2390	2060	1860	1650	1460	1270	1080	960	790	620	480	360								
36B	2-6 CL	40	3160	2720	2460	2180	1930	1670	1420	1260	1040	820	630	470								
36B	3-6 CL	40	3600	3100	2810	2480	2200	1910	1620	1440	1190	940	720	540								
24B	1	28	2270	1950	1770	1570	1380	1200	1020	910	750	590	450	340								
24B	2-6 CL	28	2810	2420	2190	1940	1710	1490	1260	1120	930	730	560	420								
24B	3-6 CL	28	3180	2730	2480	2190	1940	1690	1430	1270	1050	830	640	480								
30B	1	34	2520	2170	1970	1740	1540	1340	1130	1010	830	660	500	380								
30B	2-6 CL	34	3340	2870	2610	2300	2040	1770	1500	1340	1100	870	670	500								
30B	3-6 CL	34	3770	3240	2940	2600	2300	2000	1700	1510	1240	980	750	570								
36B	1																					

# JVB-ARS Slope Top Aluminum Grille

## COPPER/ALUMINUM ELEMENT RATINGS

ALL RATINGS ARE BASED ON 3 FPS WATER VELOCITY, 65°F AT

### STYLE LT Series "ARS"

TUBE SIZE	CATALOG DESIGNATION	FIN SIZE HEIGHT X WIDTH	FIN PER FT.	FIN THICKNESS IN INCHES	ENCL DEPTH AND HEIGHT IN INCHES	TIERS AND CENTERS IN INCHES	MTG. HEIGHT IN INCHES	STEAM 215°F FACTOR	HOT WATER (AVG.)											
									200°F	190°F	180°F	170°F	160°F	150°F	140°F	130°F	120°F	110°F	100°F	
									CORRECTION FACTORS FOR AVERAGE WATER TEMPERATURES											
3/4"	C3/4-43	4-1/4" SQ.	32	.020	24B	1	28	1790	1.00	0.86	0.78	0.69	0.61	0.53	0.45	.40	.33	.26	.20	.15
						24B	2-6 CL	28	2810	2420	2190	1940	1710	1490	1260	1120	930	730	560	420
						24B	3-6 CL	28	3230	2780	2520	2230	1970	1710	1450	1290	1070	840	650	480
						30B	1	34	1990	1710	1550	1370	1210	1050	900	800	660	520	400	300
						30B	2-6 CL	34	2630	2260	2050	1810	1600	1390	1180	1050	870	680	530	390
						30B	3-6 CL	34	3020	2600	2360	2080	1840	1600	1360	1210	1000	790	600	450
						36B	1	40	2190	1880	1710	1510	1340	1160	990	880	720	570	440	330
						36B	2-6 CL	40	2900	2490	2260	2000	1770	1540	1310	1160	960	750	580	440
						36B	3-6 CL	40	3330	2860	2600	2300	2030	1760	1500	1330	1100	870	670	500
						24B	1	28	2350	2020	1830	1620	1430	1250	1060	940	780	610	470	350
						24B	2-6 CL	28	3210	2760	2500	2210	1960	1700	1440	1280	1060	830	640	480
						24B	3-6 CL	28	3660	3150	2850	2530	2230	1940	1650	1460	1210	950	730	550
30B	1	34	2610	2240	2040	1800	1590	1380	1170	1040	860	680	520	390						
30B	2-6 CL	34	3460	2980	2700	2390	2110	1830	1560	1380	1140	900	690	520						
30B	3-6 CL	34	3940	3390	3070	2720	2400	2090	1770	1580	1300	1020	790	590						
36B	1	40	2870	2470	2240	1980	1750	1520	1290	1150	950	750	570	430						
36B	2-6 CL	40	3800	3270	2960	2620	2320	2010	1710	1520	1250	990	760	570						
36B	3-6 CL	40	4330	3720	3380	2990	2640	2290	1950	1730	1430	1130	870	650						
3/4"	C3/4-44	4-1/4" SQ.	40	.020	24B	1	28	2470	1.00	0.86	0.78	0.69	0.61	0.53	0.45	.40	.33	.26	.20	.15
						24B	2-6 CL	28	3270	2810	2550	2260	1990	1730	1470	1310	1080	850	650	490
						24B	3-6 CL	28	3700	3180	2890	2550	2260	1960	1670	1480	1220	960	740	560
						30B	1	34	2750	2370	2150	1900	1680	1460	1240	1100	910	720	550	410
						30B	2-6 CL	34	3640	3130	2840	2510	2220	1930	1640	1460	1200	950	730	550
						30B	3-6 CL	34	4110	3530	3210	2840	2510	2180	1850	1640	1360	1070	820	620
						36B	1	40	3030	2610	2360	2090	1850	1610	1360	1210	1000	790	610	450
						36B	2-6 CL	40	4010	3450	3130	2770	2450	2130	1800	1600	1320	1040	800	600
						36B	3-6 CL	40	4530	3900	3530	3130	2760	2400	2040	1810	1490	1180	910	680
						24B	1	28	1810	1560	1410	1250	1100	960	810	720	600	470	360	270
						24B	2-6 CL	28	2830	2430	2210	1950	1730	1500	1270	1130	930	740	570	420
						24B	3-6 CL	28	3250	2800	2540	2240	1980	1720	1460	1300	1070	850	650	490
30B	1	34	2010	1730	1570	1390	1230	1070	900	800	660	520	400	300						
30B	2-6 CL	34	2660	2290	2070	1840	1620	1410	1200	1060	880	690	530	400						
30B	3-6 CL	34	3060	2630	2390	2110	1870	1620	1380	1220	1010	800	610	460						
36B	1	40	2210	1900	1720	1520	1350	1170	990	880	730	570	440	330						
36B	2-6 CL	40	2930	2520	2290	2020	1790	1550	1320	1170	970	760	590	440						
36B	3-6 CL	40	3370	2900	2630	2330	2060	1790	1520	1350	1110	880	670	510						
1"	C43	4-1/4" SQ.	32	.020	24B	1	28	1810	1.00	0.86	0.78	0.69	0.61	0.53	0.45	.40	.33	.26	.20	.15
						24B	2-6 CL	28	2920	2510	2280	2010	1780	1550	1310	1170	960	760	580	440
						24B	3-6 CL	28	3330	2860	2600	2300	2030	1760	1500	1330	1100	870	670	500
						30B	1	34	2380	2050	1860	1640	1450	1260	1070	950	790	620	480	360
						30B	2-6 CL	34	3150	2710	2460	2170	1920	1670	1420	1260	1040	820	630	470
						30B	3-6 CL	34	3590	3090	2800	2480	2190	1900	1620	1440	1180	930	720	540
						36B	1	40	2620	2250	2040	1810	1600	1390	1180	1050	860	680	520	390
						36B	2-6 CL	40	3470	2980	2710	2390	2120	1840	1560	1390	1150	900	690	520
						36B	3-6 CL	40	3960	3410	3090	2730	2420	2100	1780	1580	1310	1030	790	590
						24B	1	28	2510	2160	1960	1730	1530	1330	1130	1000	830	650	500	380
						24B	2-6 CL	28	3000	2580	2340	2070	1830	1590	1350	1200	990	780	600	450
						24B	3-6 CL	28	3390	2920	2640	2340	2070	1800	1530	1360	1120	880	680	510
30B	1	34	2790	2400	2180	1930	1700	1480	1260	1120	920	730	560	420						
30B	2-6 CL	34	3690	3170	2880	2550	2250	1960	1660	1480	1220	960	740	550						
30B	3-6 CL	34	4170	3590	3250	2880	2540	2210	1880	1670	1380	1080	830	630						
36B	1	40	3070	2640	2390	2120	1870	1630	1380	1230	1010	800	610	460						
36B	2-6 CL	40	4060	3490	3170	2800	2480	2150	1830	1620	1340	1060	810	610						
36B	3-6 CL	40	4590	3950	3580	3170	2800	2430	2070	1840	1510	1190	920	690						
1-1/4"	C143	4-1/4" SQ.	32	.020	24B	1	28	1770	1.00	0.86	0.78	0.69	0.61	0.53	0.45	.40	.33	.26	.20	.15
						24B	2-6 CL	28	2780	2390	2170	1920	1700	1470	1250	1110	920	720	560	420
						24B	3-6 CL	28	3200	2750	2500	2210	1950	1700	1440	1280	1060	830	640	480
						30B	1	34	1970	1690	1540	1360	1200	1040	890	790	650	510	390	300
						30B	2-6 CL	34	2610	2240	2040	1800	1590	1380	1170	1040	860	680	520	390
						30B	3-6 CL	34	3000	2580	2340	2070	1830	1590	1350	1200	990	780	600	450
						36B	1	40	2170	1870	1690	1500	1320	1150	980	870	720	560	430	330
						36B	2-6 CL	40	2870	2470	2240	1980	1750	1520	1290	1150	950	750	570	430
						36B	3-6 CL	40	3300	2840	2570	2280	2010	1750	1490	1320	1090	860	660	500
						24B	1	28	2100	1810	1640	1450	1280	1110	950	840	690	550	420	320
						24B	2-6 CL	28	2870	2470	2240	1980	1750	1520	1290	1150	950	750	570	430
						24B	3-6 CL	28	3270	2810	2550	2260	1990	1730	1470	1310	1080	850	650	490
30B	1	34	2340	2010	1830	1610	1430	1240	1050	940	770	610	470	350						
30B	2-6 CL	34	3100	2670	2420	2140	1890	1640	1400	1240	1020	810	620	470						
30B	3-6 CL	34	3530	3040	2750	2440	2150	1870	1590	1410	1160	920	710	530						
36B	1	40	2580	2220	2010	1780	1570	1370	1160	1030	850	670	520	390						
36B	2-6 CL	40	3420	2940	2670	2360	2090	1810	1540	1370	1130	890	680	510						
36B	3-6 CL	40	3900	3350	3040	2690	2380	2070	1760	1560	1290	1010	780	590						
1-1/4"	C145	4-1/4" SQ.	50	.020	24B	1	28	2470	1.00	0.86	0.78	0.69	0.61	0.53	0.45	.40	.33	.26	.20	.15
						24B	2-6 CL	28	2950	2540	2300	2040	1800	1560	1330	1180	970	770	590	440
						24B	3-6 CL	28	3330	2860	2600	2300	2030	1760	1500	1330	1100	870	670	500
						30B	1	34	2750	2370	2150	1900	1680	1460	1240	1100	910	720	550	410
						30B	2-6 CL	34	3640	3130	2840	2510	2220	1						

### STYLE LT Series "ARS"

### STEEL ELEMENT RATINGS

ALL RATINGS ARE BASED ON 3 FPS WATER VELOCITY, 65" EAT

TUBE SIZE	CATALOG DESIGNATION	FIN SIZE HEIGHT X WIDTH	FIN PER FT.	FIN THICKNESS IN INCHES	ENCL DEPTH AND HEIGHT IN INCHES	TIERS AND CENTERS IN INCHES	MTG. HEIGHT IN INCHES	STEAM 215°F FACTOR	HOT WATER (AVG.)												
									200°F	190°F	180°F	170°F	160°F	150°F	140°F	130°F	120°F	110°F	100°F		
									CORRECTION FACTORS FOR AVERAGE WATER TEMPERATURES												
									1.00	0.86	0.78	0.69	0.61	0.53	0.45	.40	.33	.26	.20	.15	
1"	S43	4-1/4" SQ.	32	.032	24B	1	28	1500	1290	1170	1040	920	800	680	600	500	390	300	230		
					24B	2-6 CL	28	2270	1950	1770	1570	1380	1200	1020	910	750	590	450	340		
					24B	3-6 CL	28	2610	2240	2040	1800	1590	1380	1170	1040	860	680	520	390		
					30B	1	34	1670	1440	1300	1150	1020	890	750	670	550	430	330	250		
					30B	2-6 CL	34	2210	1900	1720	1520	1350	1170	990	880	730	570	440	330		
					30B	3-6 CL	34	2540	2180	1980	1750	1550	1350	1140	1020	840	660	510	380		
					36B	1	40	1840	1580	1440	1270	1120	980	830	740	610	480	370	280		
					36B	2-6 CL	40	2440	2100	1900	1680	1490	1290	1100	980	810	630	490	370		
					36B	3-6 CL	40	2810	2420	2190	1940	1710	1490	1260	1120	930	730	560	420		
					24B	1	28	1740	1500	1360	1200	1060	920	780	700	570	450	350	260		
					24B	2-6 CL	28	2490	2140	1940	1720	1520	1320	1120	1000	820	650	500	370		
					24B	3-6 CL	28	2840	2440	2220	1960	1730	1510	1280	1140	940	740	570	430		
30B	1	34	1930	1660	1510	1330	1180	1020	870	770	640	500	390	290							
30B	2-6 CL	34	2560	2200	2000	1770	1560	1360	1150	1020	840	670	510	380							
30B	3-6 CL	34	2920	2510	2280	2010	1780	1550	1310	1170	960	760	580	440							
36B	1	40	2120	1820	1650	1460	1290	1120	950	850	700	550	420	320							
36B	2-6 CL	40	2810	2420	2190	1940	1710	1490	1260	1120	930	730	560	420							
36B	3-6 CL	40	3200	2750	2500	2210	1950	1700	1440	1280	1060	830	640	480							
24B	1	28	1825	1570	1420	1260	1110	970	820	730	600	470	370	270							
24B	2-6 CL	28	2550	2190	1990	1760	1560	1350	1150	1020	840	660	510	380							
24B	3-6 CL	28	2880	2480	2250	1990	1760	1530	1300	1150	950	750	580	430							
30B	1	34	2030	1750	1580	1400	1240	1080	910	810	670	530	410	300							
30B	2-6 CL	34	2690	2310	2100	1860	1640	1430	1210	1080	890	700	540	400							
30B	3-6 CL	34	3040	2610	2370	2100	1850	1610	1370	1220	1000	790	610	460							
36B	1	40	2240	1930	1750	1550	1370	1190	1010	900	740	580	450	340							
36B	2-6 CL	40	2970	2550	2320	2050	1810	1570	1340	1190	980	770	590	450							
36B	3-6 CL	40	3360	2890	2620	2320	2050	1780	1510	1340	1110	870	670	500							
24B	1	28	1380	1190	1080	950	840	730	620	550	460	360	280	210							
24B	2-6 CL	28	2080	1790	1620	1440	1270	1100	940	830	690	540	420	310							
24B	3-6 CL	28	2390	2060	1860	1650	1460	1270	1080	960	790	620	480	360							
30B	1	34	1530	1320	1190	1060	930	810	690	610	500	400	310	230							
30B	2-6 CL	34	2030	1750	1580	1400	1240	1080	910	810	670	530	410	300							
30B	3-6 CL	34	2330	2000	1820	1610	1420	1230	1050	930	770	610	470	350							
36B	1	40	1680	1440	1310	1160	1020	890	760	670	550	440	340	250							
36B	2-6 CL	40	2220	1910	1730	1530	1350	1180	1000	890	730	580	440	330							
36B	3-6 CL	40	2550	2190	1990	1760	1560	1350	1150	1020	840	660	510	380							
24B	1	28	1730	1490	1350	1190	1060	920	780	690	570	450	350	260							
24B	2-6 CL	28	2480	2130	1930	1710	1510	1310	1120	990	820	640	500	370							
24B	3-6 CL	28	2830	2430	2210	1950	1730	1500	1270	1130	930	740	570	420							
30B	1	34	1920	1650	1500	1320	1170	1020	860	770	630	500	380	290							
30B	2-6 CL	34	2540	2180	1980	1750	1550	1350	1140	1020	840	660	510	380							
30B	3-6 CL	34	2900	2490	2260	2000	1770	1540	1310	1160	960	750	580	440							
36B	1	40	2110	1810	1650	1460	1290	1120	950	840	700	550	420	320							
36B	2-6 CL	40	2790	2400	2180	1930	1700	1480	1260	1120	920	730	560	420							
36B	3-6 CL	40	3180	2730	2480	2190	1940	1690	1430	1270	1050	830	640	480							
24B	1	28	1810	1560	1410	1250	1100	960	810	720	600	470	360	270							
24B	2-6 CL	28	2500	2150	1950	1720	1530	1330	1130	1000	830	650	500	380							
24B	3-6 CL	28	2820	2430	2200	1950	1720	1490	1270	1130	930	730	560	420							
30B	1	34	2010	1730	1570	1390	1230	1070	900	800	660	520	400	300							
30B	2-6 CL	34	2660	2290	2070	1840	1620	1410	1200	1060	880	690	530	400							
30B	3-6 CL	34	3010	2590	2350	2080	1840	1600	1350	1200	990	780	600	450							
36B	1	40	2210	1900	1720	1520	1350	1170	990	880	730	570	440	330							
36B	2-6 CL	40	2930	2520	2290	2020	1790	1550	1320	1170	970	760	590	440							
36B	3-6 CL	40	3310	2850	2580	2280	2020	1750	1490	1320	1090	860	660	500							
24B	1	28	1250	1080	980	860	760	660	560	500	410	330	250	190							
24B	2-6 CL	28	1940	1670	1510	1340	1180	1030	870	780	640	500	390	290							
24B	3-6 CL	28	2230	1920	1740	1540	1360	1180	1000	890	740	580	450	330							
30B	1	34	1390	1200	1080	960	850	740	630	560	460	360	280	210							
30B	2-6 CL	34	1840	1580	1440	1270	1120	980	830	740	610	480	370	280							
30B	3-6 CL	34	2120	1820	1650	1460	1290	1120	950	850	700	550	420	320							
36B	1	40	1530	1320	1190	1060	930	810	690	610	500	400	310	230							
36B	2-6 CL	40	2030	1750	1580	1400	1240	1080	910	810	670	530	410	300							
36B	3-6 CL	40	2330	2000	1820	1610	1420	1230	1050	930	770	610	470	350							
24B	1	28	1490	1280	1160	1030	910	790	670	600	490	390	300	220							
24B	2-6 CL	28	2180	1870	1700	1500	1330	1160	980	870	720	570	440	330							
24B	3-6 CL	28	2510	2160	1960	1730	1530	1330	1130	1000	830	650	500	380							
30B	1	34	1660	1430	1290	1150	1010	880	750	660	550	430	330	250							
30B	2-6 CL	34	2200	1890	1720	1520	1340	1170	990	880	730	570	440	330							
30B	3-6 CL	34	2530	2180	1970	1750	1540	1340	1140	1010	830	660	510	380							
36B	1	40	1830	1570	1430	1260	1120	970	820	730	600	480	370	270							
36B	2-6 CL	40	2420	2080	1890	1670	1480	1280	1090	970	800	630	480	360							
36B	3-6 CL	40	2780	2390	2170	1920	1700	1470	1250	1110	920	720	560	420							



## COMMERCIAL FINNED TUBE CHARTS FOR RATING CORRECTIONS

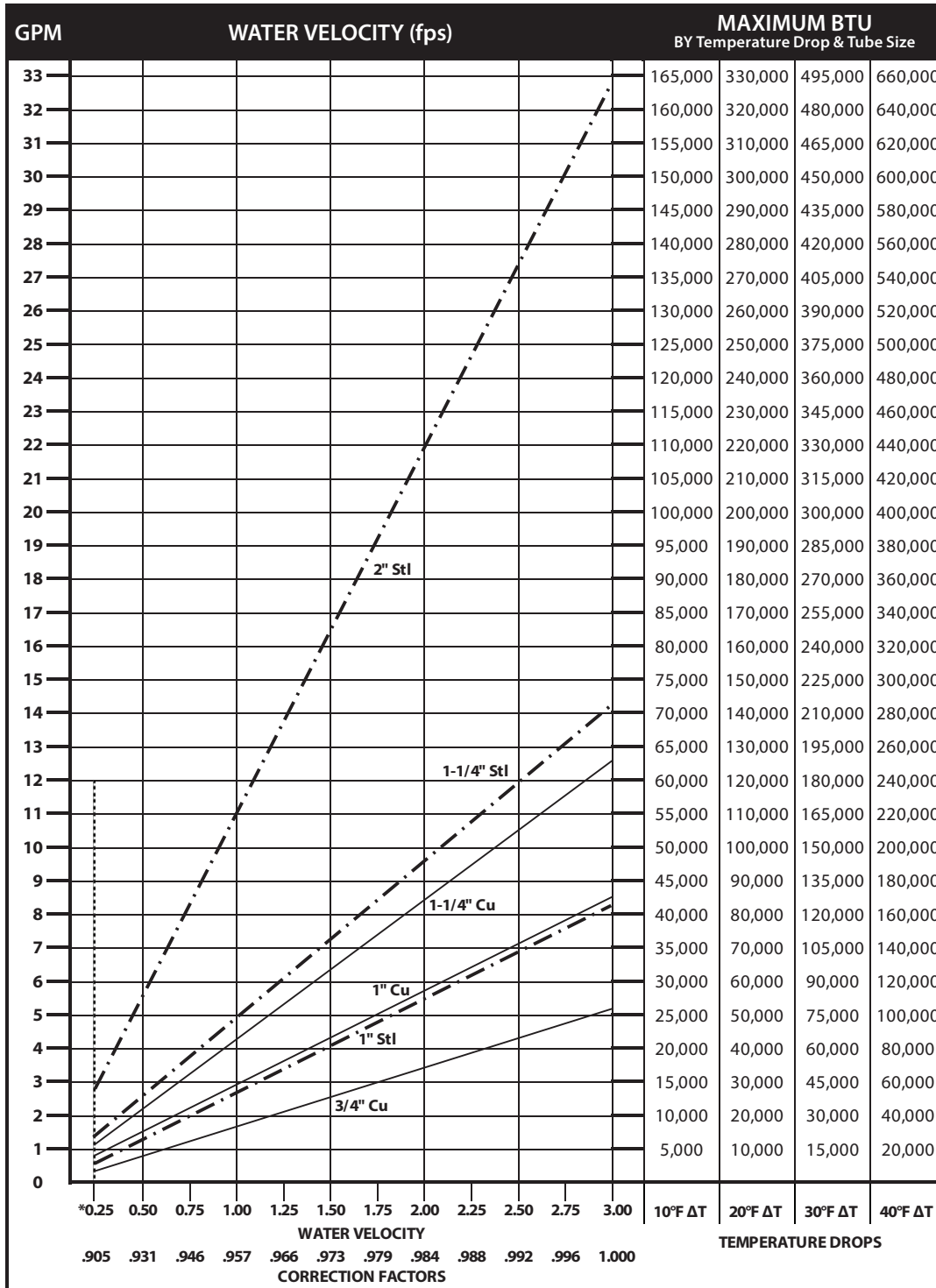
For assistance with ratings and selection, please use our online Specifier.

CORRECTION FACTORS FOR WATER TEMPERATURES AND AIR TEMPERATURES OTHER THAN STANDARD															
AVERAGE WATER TEMP. °F	ENTERING AIR TEMPERATURE °F														
	45	55	STD 65	70	75	80	85	90	95	100	110	120	130	140	150
90	.19	.13	.11	.06											
100	.25	.19	.15	.11	.08	.06									
110	.31	.25	.20	.16	.13	.11	.08	.06							
120	.38	.31	.26	.21	.19	.16	.13	.11	.08	.06					
130	.45	.38	.33	.28	.25	.21	.19	.16	.13	.11	.06				
140	.53	.45	.40	.34	.31	.28	.25	.21	.19	.16	.11	.06			
150	.61	.53	.45	.41	.38	.34	.31	.28	.25	.21	.16	.11	.06		
160	.69	.61	.53	.49	.45	.41	.38	.34	.31	.28	.21	.16	.11	.06	
170	.77	.69	.61	.57	.53	.49	.45	.41	.38	.34	.28	.21	.16	.11	.06
180	.86	.77	.69	.65	.61	.57	.53	.49	.45	.41	.34	.28	.21	.16	.11
190	.95	.86	.78	.73	.69	.65	.61	.57	.53	.49	.41	.34	.28	.21	.16
200	1.05	.95	.86	.82	.77	.73	.69	.65	.61	.57	.49	.41	.34	.28	.21
210	1.14	1.05	.95	.91	.86	.82	.77	.73	.69	.65	.57	.49	.41	.34	.28
▶ 215 (STD.)	1.19	1.09	1.00	.95	.91	.86	.82	.77	.73	.69	.61	.53	.45	.38	.31
220	1.24	1.14	1.05	1.00	.95	.91	.86	.82	.77	.73	.65	.57	.49	.41	.34
230	1.34	1.24	1.14	1.09	1.05	1.00	.95	.91	.86	.82	.73	.65	.57	.49	.41
240	1.44	1.34	1.25	1.19	1.14	1.09	1.05	1.00	.95	.91	.82	.73	.65	.57	.49
250	1.55	1.44	1.34	1.29	1.24	1.19	1.14	1.09	1.05	1.00	.91	.82	.73	.65	.57
260	1.66	1.55	1.44	1.39	1.34	1.29	1.24	1.19	1.14	1.09	1.00	.91	.82	.73	.65
270	1.76	1.66	1.55	1.50	1.44	1.39	1.34	1.29	1.24	1.19	1.09	1.00	.91	.82	.73
280	1.87	1.76	1.66	1.60	1.55	1.50	1.44	1.39	1.34	1.29	1.19	1.09	1.00	.91	.82
290	1.99	1.87	1.76	1.71	1.66	1.60	1.55	1.50	1.44	1.39	1.29	1.19	1.09	1.00	.91
300	2.10	1.99	1.87	1.82	1.76	1.71	1.66	1.60	1.55	1.50	1.39	1.29	1.19	1.09	1.00

CORRECTION FACTORS FOR STEAM PRESSURES AND AIR TEMPERATURES OTHER THAN STANDARD																
STEAM		TEMP. °F	ENTERING AIR TEMPERATURE °F													
GAUGE	ABS. PSI		45	55	STD 65	70	75	80	85	90	100	110	120	130	140	150
(VAC) 15" HG	7.32	178.9	0.90	0.80	0.70	0.65	0.60	0.56	0.51	0.45	0.39	0.32	0.25	0.18	0.13	0.08
(VAC) 10"	9.78	192.2	1.02	0.91	0.81	0.76	0.71	0.66	0.62	0.55	0.48	0.40	0.33	0.26	0.20	0.14
(VAC) 5"	12.25	202.9	1.11	1.00	0.90	0.85	0.79	0.75	0.70	0.63	0.56	0.48	0.40	0.33	0.27	0.20
▶ 0 PSI	14.696	212.0	1.19	1.09	0.97	0.92	0.87	0.82	0.77	0.70	0.63	0.54	0.46	0.38	0.31	0.25
.899	15.595	215.0	1.22	1.11	1.00	0.95	0.90	0.84	0.80	0.75	0.65	0.57	0.48	0.40	0.33	0.26
5	19.70	227.1	1.34	1.22	1.11	1.05	1.00	0.95	0.90	0.81	0.75	0.66	0.57	0.49	0.41	0.34
10	24.70	239.4	1.45	1.33	1.22	1.17	1.11	1.05	1.00	0.91	0.85	0.75	0.66	0.58	0.50	0.42
15	29.70	249.8	1.55	1.43	1.31	1.26	1.20	1.14	1.09	1.00	0.94	0.84	0.75	0.66	0.57	0.49
20	34.70	258.5	1.63	1.52	1.40	1.33	1.28	1.23	1.17	1.07	1.02	0.92	0.82	0.73	0.64	0.55
25	39.70	266.8	1.71	1.59	1.47	1.41	1.36	1.30	1.25	1.15	1.09	0.98	0.89	0.80	0.71	0.62
30	44.70	274.0	1.78	1.66	1.54	1.48	1.42	1.37	1.31	1.21	1.15	1.05	0.95	0.85	0.76	0.68
40	54.70	286.7	1.91	1.79	1.66	1.61	1.54	1.49	1.43	1.32	1.27	1.16	1.06	0.97	0.87	0.78
50	64.70	297.7	2.02	1.90	1.77	1.71	1.65	1.60	1.54	1.42	1.37	1.26	1.16	1.06	0.96	0.87
60	74.70	307.3	2.10	2.00	1.87	1.81	1.75	1.69	1.63	1.51	1.47	1.35	1.25	1.15	1.05	0.95
70	84.70	316.0	2.20	2.09	1.95	1.89	1.83	1.77	1.71	1.59	1.55	1.44	1.33	1.23	1.12	1.03
80	94.70	323.9	2.27	2.17	2.03	1.97	1.91	1.85	1.80	1.69	1.63	1.52	1.41	1.31	1.20	1.10
90	104.70	331.2	2.36	2.24	2.11	2.05	1.98	1.93	1.87	1.74	1.70	1.59	1.48	1.38	1.28	1.17
100	114.70	337.9	2.43	2.31	2.18	2.11	2.05	2.00	1.94	1.81	1.77	1.65	1.54	1.44	1.33	1.23
125	139.70	352.9	2.59	2.47	2.33	2.27	2.21	2.16	2.10	1.96	1.92	1.80	1.69	1.59	1.48	1.38
150	164.70	365.9	2.73	2.62	2.47	2.43	2.35	2.29	2.23	2.08	2.05	1.94	1.82	1.72	1.61	1.51
175	189.70	377.4	2.86	2.74	2.60	2.54	2.47	2.41	2.35	2.21	2.17	2.05	1.95	1.85	1.73	1.63
200	214.70	387.8	2.95	2.85	2.71	2.63	2.58	2.52	2.47	2.31	2.29	2.17	2.06	1.96	1.84	1.75

From Keenan and Keyes — Linear Interpolation. NOTE: Gauge pressure should be corrected for altitude.

Rate of pitch for steam 1/2" drop over 20-foot run.



**DYNAMIC FORMULAS**

**BTU = GPM x 500 x TD**

**GPM =  $\left(\frac{BTU}{500}\right) \div TD$**

**TD =  $\left(\frac{BTU}{500}\right) \div GPM$**

\*Do not design below .25 fps.

**Pressure Drop at Given Water Velocities (Feet of Water per 100 ft. of pipe) based on Hazen - Williams calculation**

Nominal Pipe Size	Water Velocity (ft/sec)											
	0.25	0.50	0.75	1.00	1.25	1.50	1.75	2.00	2.25	2.50	2.75	3.00
3/4" Copper	0.06	0.20	0.42	0.72	1.09	1.53	2.04	2.61	3.25	3.95	4.71	5.53
1" Copper	0.04	0.15	0.32	0.54	0.81	1.14	1.52	1.94	2.42	2.94	3.50	4.11
1 1/4" Copper	0.03	0.12	0.25	0.43	0.64	0.90	1.20	1.54	1.92	2.33	2.78	3.26
1" Steel	0.04	0.15	0.32	0.54	0.81	1.14	1.52	1.95	2.42	2.94	3.51	4.12
1 1/4" Steel	0.03	0.11	0.23	0.40	0.60	0.84	1.12	1.44	1.79	2.17	2.59	3.05
2" Steel	0.02	0.07	0.14	0.25	0.37	0.52	0.69	0.89	1.10	1.34	1.60	1.88

# Design Data

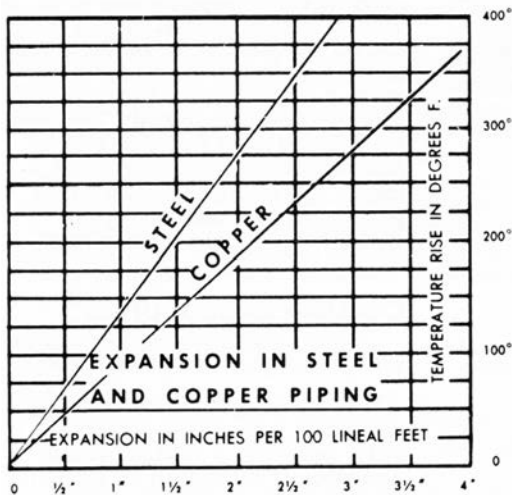
## GUARANTEED WORKING PRESSURES

- 1" IPS – 780 at Temperatures up to 650°F.
- 1-1/4" IPS – 660 at Temperatures up to 650°F.
- 2" IPS – 405 at Temperatures up to 650°F.
- 1-1/4" CU – 194 at Temperatures up to 300°F.
- 1" CU 204 at Temperatures up to 300°F.
- 3/4" CU 218 PSI at Temperatures up to 300°F.

MAXIMUM PRESSURES AT OTHER TEMPERATURES  
ARE AVAILABLE UPON REQUEST.

### Pipe Water Capacities and Quantities Circulated at Velocity of 3 Feet Per Second

Nominal Pipe Size	Pipe I.D. (inches)	Gals Per Lin. Ft.	GPM @ 3' per sec Velocity
3/4" Copper	0.835	0.028	5.12
1" Copper	1.077	0.047	8.52
1 1/4" Copper	1.315	0.071	12.70
1" Steel	1.075	0.047	8.49
1 1/4" Steel	1.395	0.079	14.29
2" Steel	2.115	0.183	32.85



### Glycol Correction Factors

#### Fluid Temperature 200°F

% Solution	Ethylene Glycol	Propylene Glycol
20	.952	.988
30	.921	.968
40	.888	.943
50	.852	.912

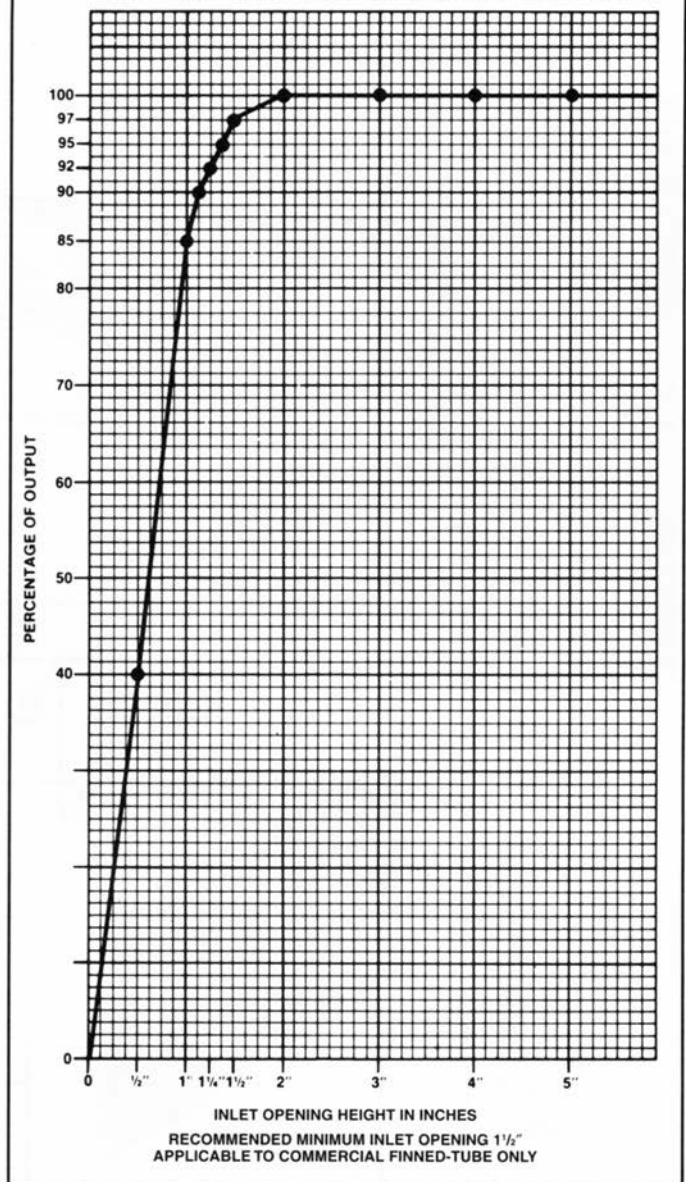
#### Fluid Temperature 180°F

% Solution	Ethylene Glycol	Propylene Glycol
20	.946	.982
30	.913	.961
40	.879	.934
50	.842	.902

#### Fluid Temperature 140°F

% Solution	Ethylene Glycol	Propylene Glycol
20	.934	.97
30	.898	.946
40	.861	.916
50	.821	.881

### INLET VS. OUTPUT/BTUH CAPACITY REDUCTION



### ALTITUDE FACTORS

Approximate factors for convective heat value at varying altitudes

Altitude	Ferrous Units	Copper Alum. Units
Sea Level	1.000	1.000
1,000 ft.	.984	.969
2,000 ft.	.968	.938
3,000 ft.	.952	.908
4,000 ft.	.936	.878
5,000 ft.	.920	.850
6,000 ft.	.904	.822
7,000 ft.	.889	.795
8,000 ft.	.874	.768
9,000 ft.	.859	.743
10,000 ft.	.844	.718
15,000 ft.	.771	.603
20,000 ft.	.703	.502



## LIMITED WARRANTY

### Commercial Finned Tube Radiation

The Manufacturer warrants to the original owner at the original installation site that the Commercial Finned Tube (the "Product") will be free from defects in material or workmanship for a period not to exceed (1) year from date of shipment from the factory. If upon examination by the Manufacturer the Product is shown to have a defect in material or workmanship during the warranty period, the Manufacturer will repair or replace, at its option, that part of the Product which is shown to be defective.

This limited warranty does not apply:

- (a) if the Product has been subjected to misuse or neglect, has been accidentally or intentionally damaged, has not been installed, maintained or operated in accordance with the furnished written instructions, or has been altered or modified in any way by any unauthorized person.
- (b) to any expenses, including labor or material, incurred during removal or reinstallation of the defective Product or part thereof.
- (c) to any workmanship of any installer of the Product.

This limited warranty is conditional upon:

- (a) shipment, to the Manufacturer, of that part of the Product thought to be defective. Goods may only be returned with the prior written approval of the Manufacturer. All returns must be freight prepaid.
- (b) determination in the reasonable opinion of the Manufacturer that there exists a defect in material or workmanship.

Repair or replacement of any part under this Limited Warranty shall not extend the duration of the warranty with respect to such repaired or replaced part beyond the stated warranty period.

**THIS LIMITED WARRANTY IS IN LIEU OF ALL OTHER WARRANTIES, EITHER EXPRESS OR IMPLIED, AND ALL SUCH OTHER WARRANTIES, INCLUDING WITHOUT LIMITATION IMPLIED WARRANTIES OF MERCHANTABILITY OR FITNESS FOR A PARTICULAR PURPOSE, ARE HEREBY DISCLAIMED AND EXCLUDED FROM THIS LIMITED WARRANTY. IN NO EVENT SHALL THE MANUFACTURER BE LIABLE IN ANY WAY FOR ANY CONSEQUENTIAL, SPECIAL, OR INCIDENTAL DAMAGES OF ANY NATURE WHATSOEVER, OR FOR ANY AMOUNTS IN EXCESS OF THE SELLING PRICE OF THE PRODUCT OR ANY PARTS THEREOF FOUND TO BE DEFECTIVE. THIS LIMITED WARRANTY GIVES YOU SPECIFIC LEGAL RIGHTS. YOU MAY ALSO HAVE OTHER RIGHTS WHICH MAY VARY BY EACH JURISDICTION.**



260 North Elm Street, Westfield MA 01085

Tel: (413) 564-5535

[www.sterlingheat.com](http://www.sterlingheat.com)

 A MESTEK COMPANY